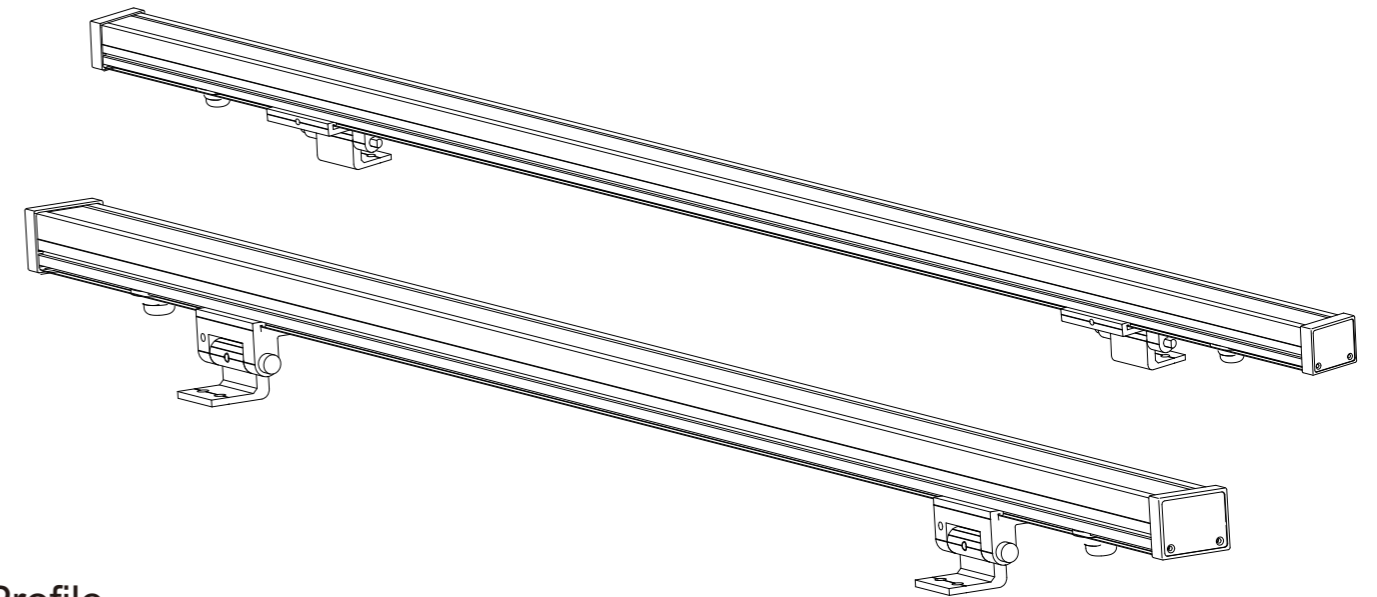


## Project Cases



	LED Wall Washer	001-012
	LED line light	013-020
	LED Pixel light	021-026
	LED Flood light	027-054
	LED Tree holding lamp	055-058
	LED Plugging in the Floodlight	059-062
	LED corrugated lamp	063-066
	LED Point light	067-072
	LED Wall Lamp	073-088
	LED Lawn Lamp	089-098
	LED Underground lamp	099-114
	LED underwater light	115-120
	LED Mining light	121-126
	LED street lamp	127-140
	Lifter	141-142

## LED Wall Washer Series

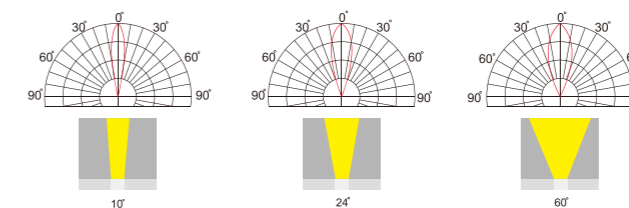


### Profile

Wall washing lamps, as the name implies, let the lights wash the walls like water. They are mainly used for building decoration and lighting. They are also used to outline the outline of large-scale buildings. Because LED has the characteristics of energy-saving, high light efficiency, rich color and long life, wall-washing lamps of other light sources are gradually replaced by wall-washing lamps of LED. The technical parameters of wall-washing lamps of LED are similar to those of LED spotlights.

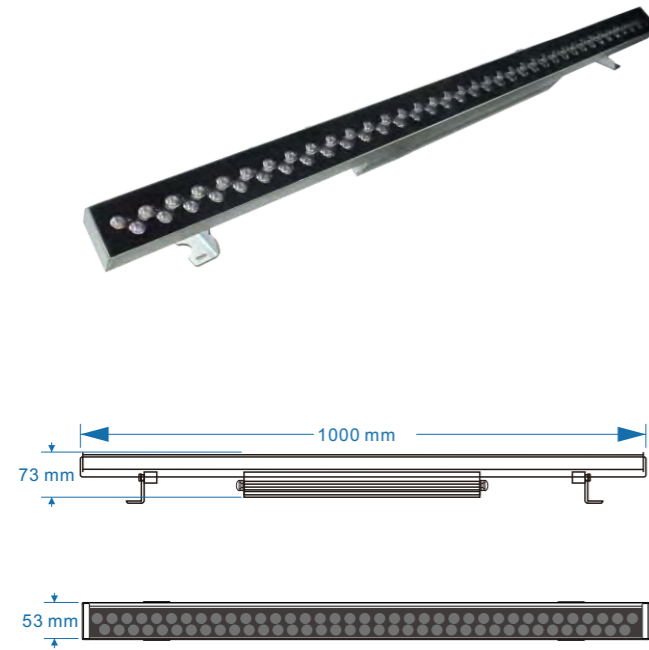
### Application

LED wall lamp is very suitable for panoramic floodlighting of government lighting projects, commercial places, stage, conference rooms, display lights, ancient buildings, cultural squares, viaducts, building exterior walls, building landmarks and other interior and exterior walls. Landscape buildings, outdoor squares. Landscape objects, walls and exhibits are painted. Generally, LED wall lamp is used in outdoor projects.



配光曲线 (单位: cd) C0-180

## KS-XQD-01-55W



### Material:

- ◆ The whole lamp is made of all aluminium products.
- ◆ The diffuser is toughened glass
- ◆ All fastener screws, nuts are stainless steel (exposed)

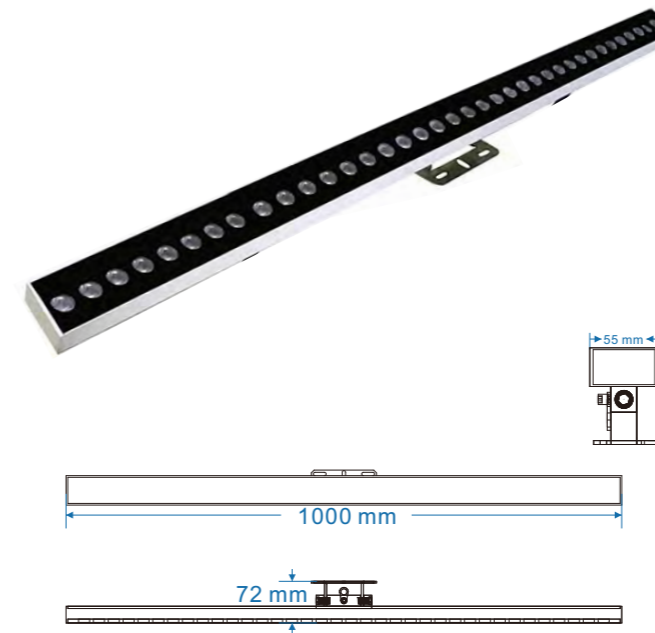
### Specification :

- ◆ Size: 1000mmx53mmx73mm
- ◆ Chip: CREE/LUM LEDS/EPI STAR/OSRAM
- ◆ Beam Angle: 15°-90°
- ◆ CTT: RGBM
- ◆ Power: 55W
- ◆ Voltage: AC100-260V
- ◆ Lifetime: 50,000hour
- ◆ Waterproof Grade: IP65

### Optional Color:



## KS-XQD-03-36W



### Material:

- ◆ The whole lamp is made of all aluminium products.
- ◆ The diffuser is toughened glass
- ◆ All fastener screws, nuts are stainless steel (exposed)

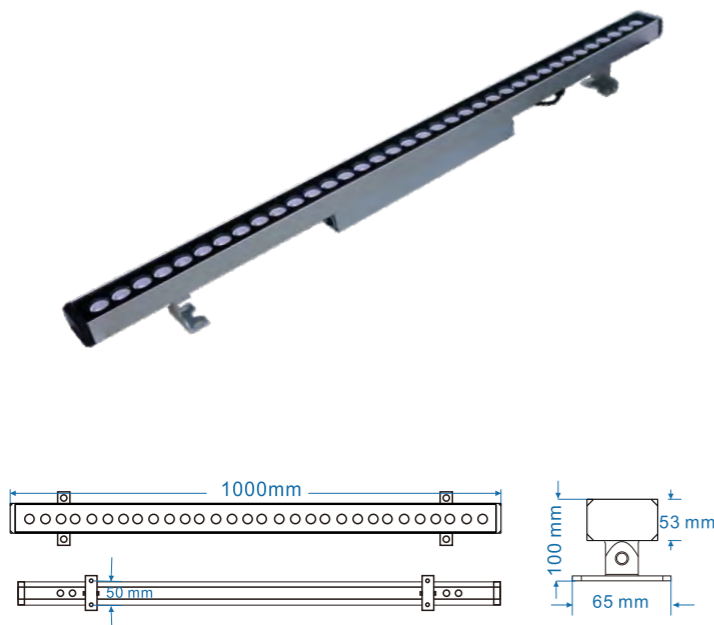
### Specification :

- ◆ Size: 1000mmx55mmx72mm
- ◆ Chip: CREE/LUM LEDS/EPI STAR/OSRAM
- ◆ Beam Angle: 15°-90°
- ◆ CTT: 2700K-6500K/RGB
- ◆ Power: 36W
- ◆ Voltage: DC24V
- ◆ Lifetime: 50,000hour
- ◆ Waterproof Grade: IP65

### Optional Color:



## KS-XQD-02-48W



### Material:

- ◆ The whole lamp is made of all aluminium products.
- ◆ The diffuser is toughened glass
- ◆ All fastener screws, nuts are stainless steel (exposed)

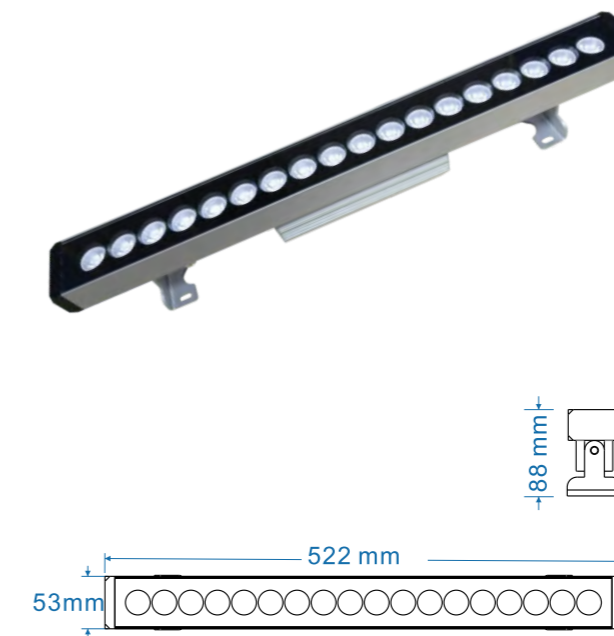
### Specification :

- ◆ Size: 1000mmx53mmx100mm
- ◆ Chip: CREE/LUM LEDS/EPI STAR/OSRAM
- ◆ Beam Angle: 15°-90°
- ◆ CTT: 2700K-6500K/RGB
- ◆ Power: 8W/15W/24W/48W
- ◆ Voltage: DC24V/AC220V
- ◆ Lifetime: 50,000hour
- ◆ Waterproof Grade: IP66

### Optional Color:



## KS-XQD-04-27W



### Material:

- ◆ The whole lamp is made of all aluminium products.
- ◆ The diffuser is toughened glass
- ◆ All fastener screws, nuts are stainless steel (exposed)

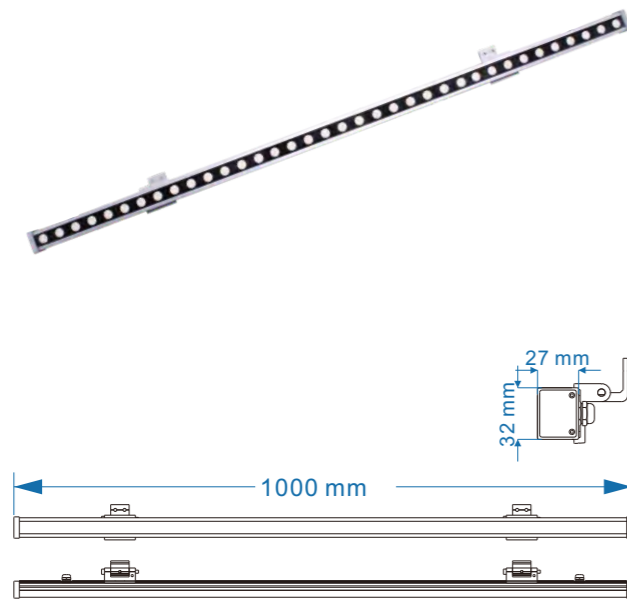
### Specification :

- ◆ Size: 522mmx53mmx88mm
- ◆ Chip: CREE/LUM LEDS/EPI STAR/OSRAM
- ◆ Beam Angle: 15°-90°
- ◆ CTT: 2700K-6500K/RGB
- ◆ Power: 27W
- ◆ Voltage: AC220V
- ◆ Lifetime: 50,000hour
- ◆ Waterproof Grade: IP66

### Optional Color:



## KS-XQD-05-24W



### Material:

- ◆ The whole lamp is made of all aluminium products.
- ◆ The diffuser is toughened glass
- ◆ All fastener screws, nuts are stainless steel (exposed)

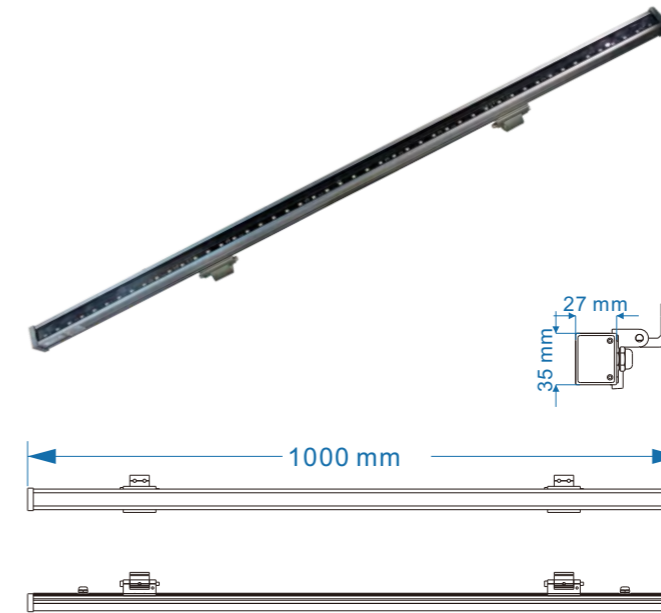
### Specification :

- ◆ Size: 1000mmx32mmx27mm
- ◆ Chip: CREE/LUM LEDS/ EPI STAR/OSRAM
- ◆ Beam Angle: 15°-90°
- ◆ CTT: 2700K-6500K/RGB
- ◆ Power: 12W/24W
- ◆ Voltage: DC24V
- ◆ Lifetime: 50,000hour
- ◆ Waterproof Grade: IP65

### Optional Color:



## KS-XQD-07-11W



### Material:

- ◆ The whole lamp is made of all aluminium products.
- ◆ The diffuser is toughened glass
- ◆ All fastener screws, nuts are stainless steel (exposed)

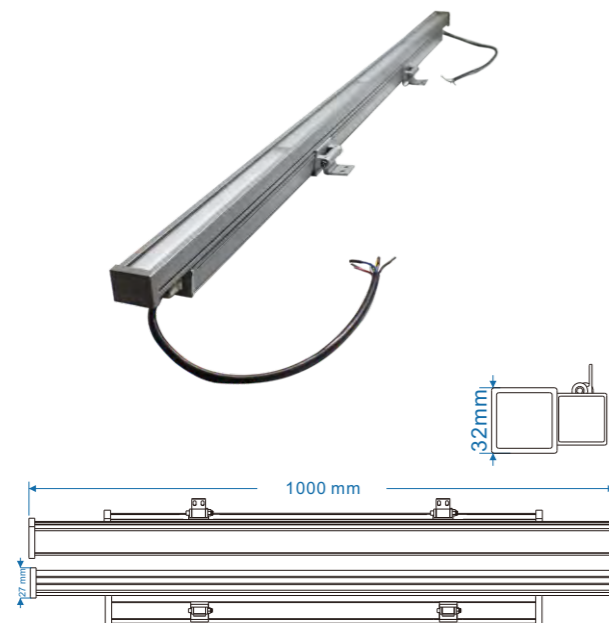
### Specification :

- ◆ Size: 1000mmx27mmx35mm
- ◆ Chip: CREE/LUM LEDS/ EPI STAR/OSRAM
- ◆ Beam Angle: 15°-90°
- ◆ CTT: 2700K-6500K/RGB
- ◆ Power: 11W
- ◆ Voltage: DC24V/AC220V
- ◆ Lifetime: 50,000hour
- ◆ Waterproof Grade: IP67

### Optional Color:



## KS-XQD-06-27W



### Material:

- ◆ The whole lamp is made of all aluminium products.
- ◆ The diffuser is toughened glass
- ◆ All fastener screws, nuts are stainless steel (exposed)

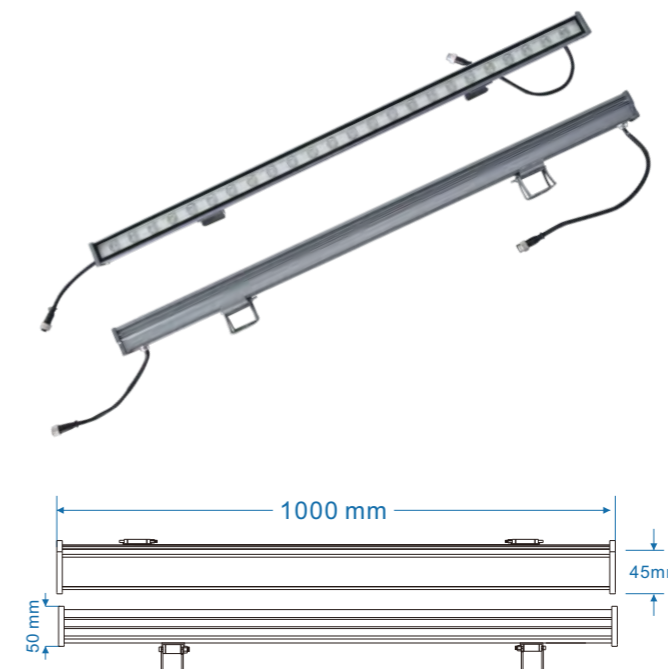
### Specification :

- ◆ Size: 1000mmx32mmx27mm
- ◆ Chip: CREE/LUM LEDS/ EPI STAR/OSRAM
- ◆ Beam Angle: 15°-90°
- ◆ CTT: 2700K-6500K/RGB
- ◆ Power: 27W
- ◆ Voltage: DC24V
- ◆ Lifetime: 50,000hour
- ◆ Waterproof Grade: IP67

### Optional Color:



## KS-XQD-08-24W



### Material:

- ◆ The whole lamp is made of all aluminium products.
- ◆ The diffuser is toughened glass
- ◆ All fastener screws, nuts are stainless steel (exposed)

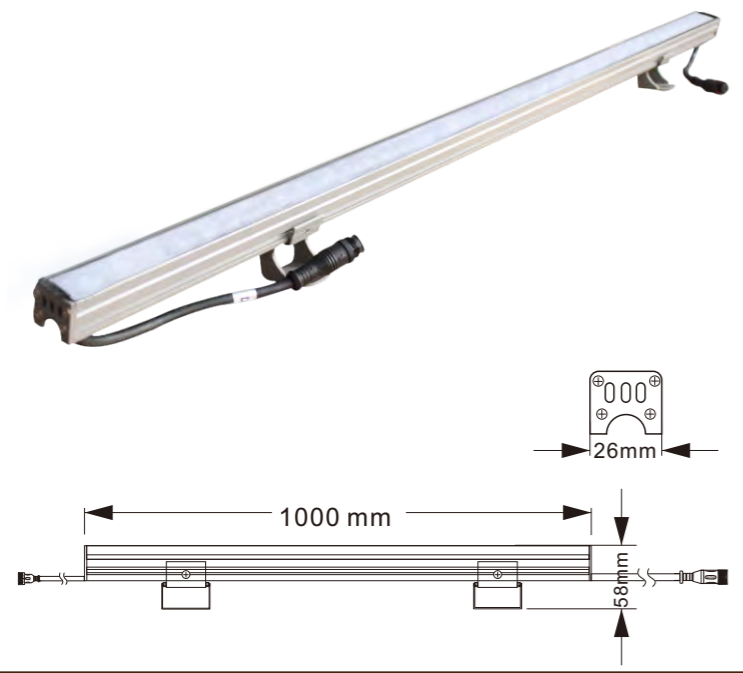
### Specification :

- ◆ Size: 1000mmx45mmx50mm
- ◆ Chip: CREE/LUM LEDS/ EPI STAR/OSRAM
- ◆ Beam Angle: 15°-90°
- ◆ CTT: RGB+W(4000K)
- ◆ Power: 24W
- ◆ Voltage: DC24V
- ◆ Lifetime: 50,000hour
- ◆ Waterproof Grade: IP66

### Optional Color:



## KS-XQD-09-15W



**Material:**

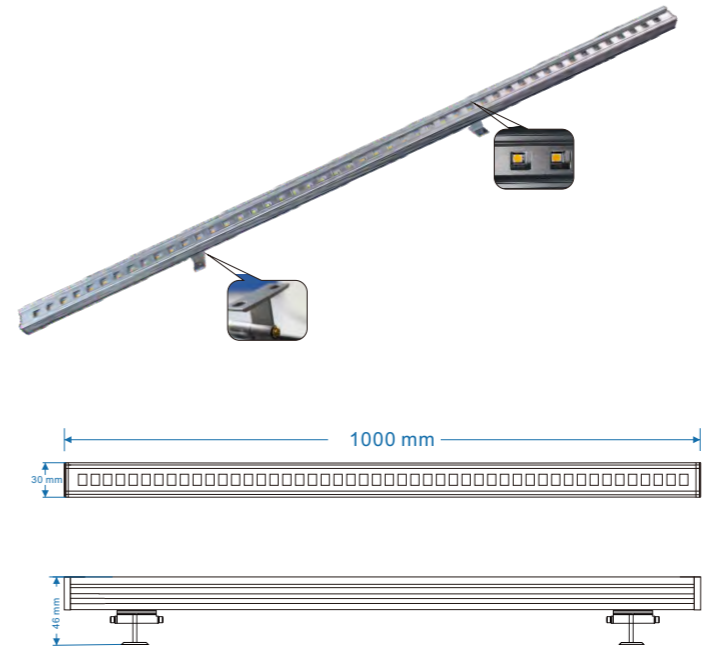
- ◆ The whole lamp is made of all aluminium products.
- ◆ The diffuser is toughened glass
- ◆ All fastener screws, nuts are stainless steel (exposed)

**Specification :**

- ◆ Size: 1000mmx58mmx26mm
- ◆ Chip: CREE/LUM LEDs/EPI STAR/OSRAM
- ◆ Beam Angle: 15°-90°
- ◆ CTT: 2700K-6500K/RGB
- ◆ Power: 15W
- ◆ Voltage: DC24V
- ◆ Lifetime: 50,000hour
- ◆ Waterproof Grade: IP65

**Optional Color:**

## KS-XQD-11-12W



**Material:**

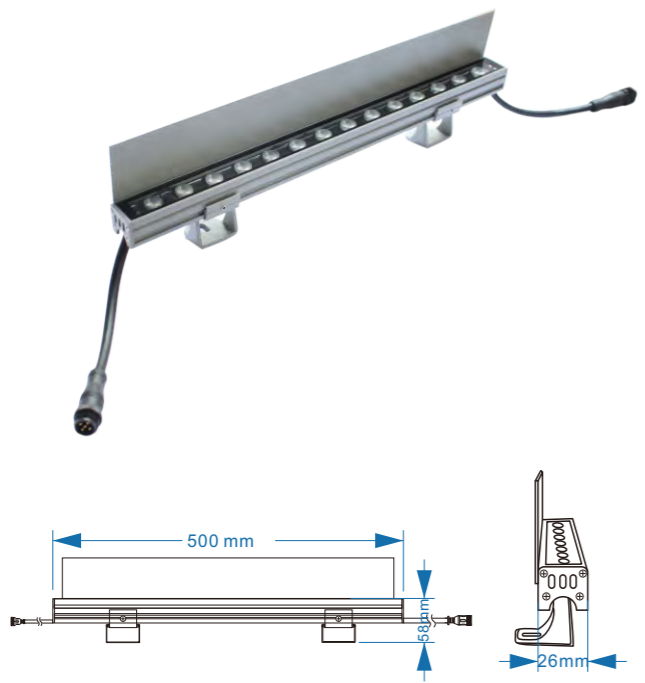
- ◆ The whole lamp is made of all aluminium products.
- ◆ The diffuser is toughened glass
- ◆ All fastener screws, nuts are stainless steel (exposed)

**Specification :**

- ◆ Size: 1000mmx30mmx46mm
- ◆ Chip: CREE/LUM LEDs/EPI STAR/OSRAM
- ◆ Beam Angle: 15°-90°
- ◆ CTT: 2700K-6500K/RGB
- ◆ Power: 12W
- ◆ Voltage: AC220V
- ◆ Lifetime: 50,000hour
- ◆ Waterproof Grade: IP66

**Optional Color:**

## KS-XQD-10-24W



**Material:**

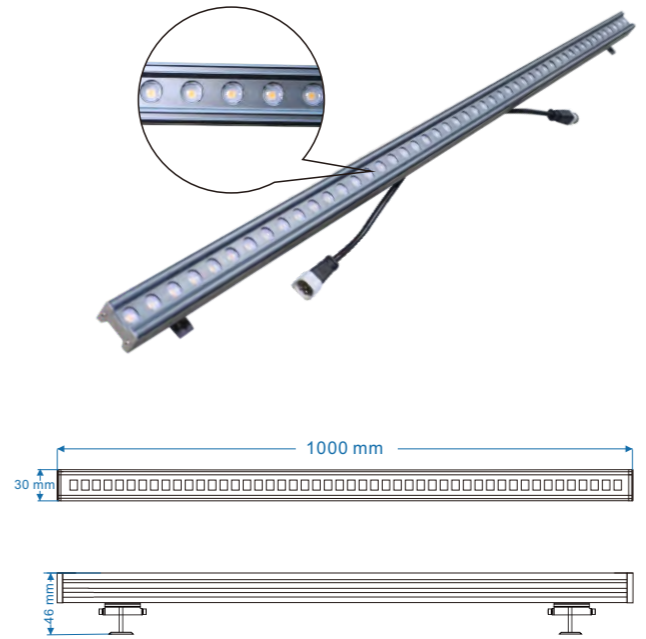
- ◆ The whole lamp is made of all aluminium products.
- ◆ The diffuser is toughened glass
- ◆ All fastener screws, nuts are stainless steel (exposed)

**Specification :**

- ◆ Size: 1000mmx58mmx26mm
- ◆ Chip: CREE/LUM LEDs/EPI STAR/OSRAM
- ◆ Beam Angle: 15°-90°
- ◆ CTT: 2700K-6500K/RGB
- ◆ Power: 6W/12W/18W/24W
- ◆ Voltage: DC24V
- ◆ Lifetime: 50,000hour
- ◆ Waterproof Grade: IP65

**Optional Color:**

## KS-XQD-12-12W



**Material:**

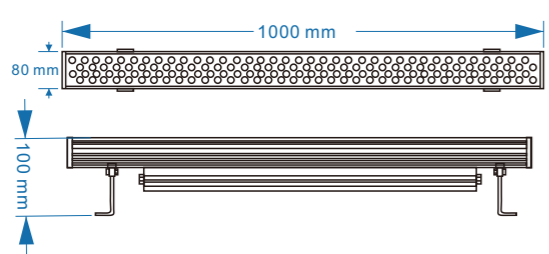
- ◆ The whole lamp is made of all aluminium products.
- ◆ The diffuser is toughened glass
- ◆ All fastener screws, nuts are stainless steel (exposed)

**Specification :**

- ◆ Size: 1000mmx30mmx46mm
- ◆ Chip: CREE/LUM LEDs/EPI STAR/OSRAM
- ◆ Beam Angle: 15°-90°
- ◆ CTT: 2700K-6500K/RGB
- ◆ Power: 12W
- ◆ Voltage: DC24V
- ◆ Lifetime: 50,000hour
- ◆ Waterproof Grade: IP66

**Optional Color:**

## KS-XQD-13-120W



**Material:**

- ◆ The whole lamp is made of all aluminium products.
- ◆ The diffuser is toughened glass
- ◆ All fastener screws, nuts are stainless steel (exposed)

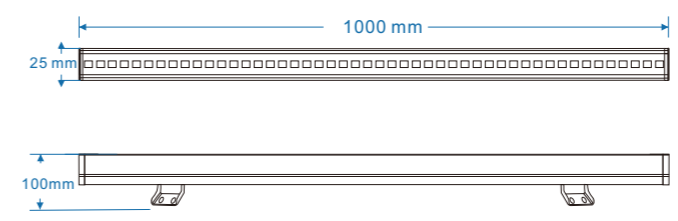
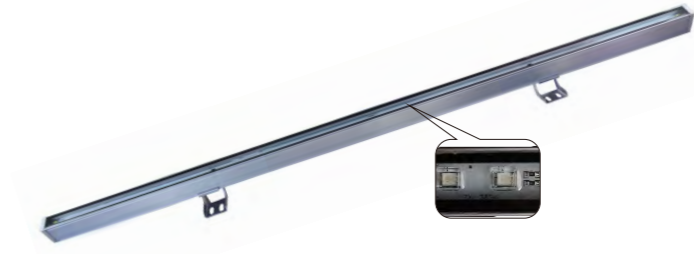
**Specification :**

- ◆ Size: 1000mmx80mmx100mm
- ◆ Chip: CREE/LUM LEDS/EPI STAR/OSRAM
- ◆ Beam Angle: 15°-90°
- ◆ CTT: RGBM
- ◆ Power: 120W
- ◆ Voltage: AC220V
- ◆ Lifetime: 50,000hour
- ◆ Waterproof Grade: IP66

**Optional Color:**



## KS-XQD-15-15W



**Material:**

- ◆ The whole lamp is made of all aluminium products.
- ◆ The diffuser is toughened glass
- ◆ All fastener screws, nuts are stainless steel (exposed)

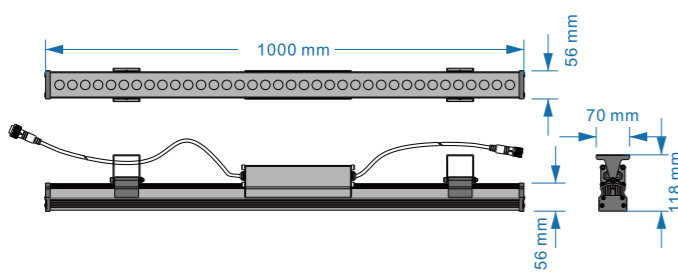
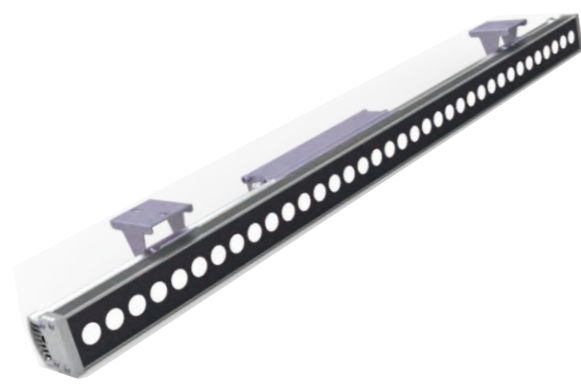
**Specification :**

- ◆ Size: 1000mmx25mmx100mm
- ◆ Chip: CREE/LUM LEDS/EPI STAR/OSRAM
- ◆ Beam Angle: 15°-90°
- ◆ CTT: 2700-6500K/RGB
- ◆ Power: 15W
- ◆ Voltage: DC24V
- ◆ Lifetime: 50,000hour
- ◆ Waterproof Grade: IP66

**Optional Color:**



## KS-XQD-14-38W



**Material:**

- ◆ The whole lamp is made of all aluminium products.
- ◆ The diffuser is toughened glass
- ◆ All fastener screws, nuts are stainless steel (exposed)

**Specification :**

- ◆ Size: 1000mmx56mmx118mm
- ◆ Chip: CREE/LUM LEDS/EPI STAR/OSRAM
- ◆ Beam Angle: 15°-90°
- ◆ CTT: RGB
- ◆ Power: 38W
- ◆ Voltage: AC220V/DC24V
- ◆ Lifetime: 50,000hour
- ◆ Waterproof Grade: IP66

**Optional Color:**



## KS-XQD-16-24W



**Material:**

- ◆ The whole lamp is made of all aluminium products.
- ◆ The diffuser is toughened glass
- ◆ All fastener screws, nuts are stainless steel (exposed)

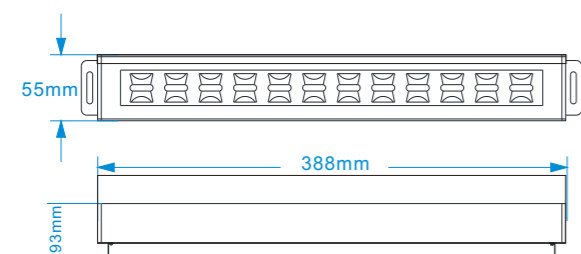
**Specification :**

- ◆ Size: 610mmx70mmx120mm
- ◆ Chip: CREE/LUM LEDS/EPI STAR/OSRAM
- ◆ Beam Angle: 15°-90°
- ◆ CTT: 2700-6500K/RGB
- ◆ Power: 24W
- ◆ Voltage: DC24V
- ◆ Lifetime: 50,000hour
- ◆ Waterproof Grade: IP65

**Optional Color:**



## KS-XQD-17-24W



**Material:**

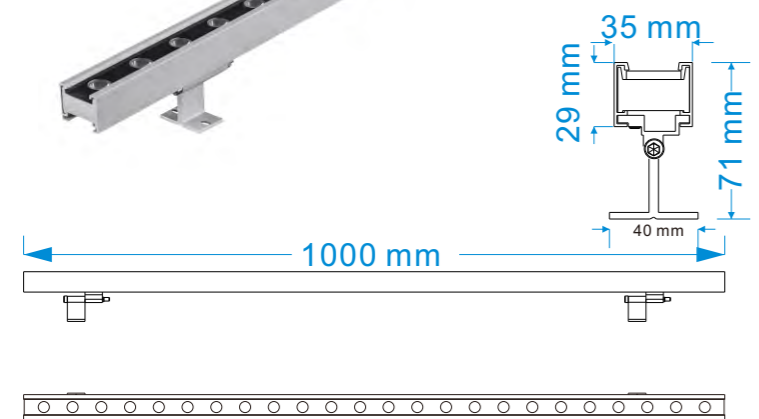
- ◆ The whole lamp is made of all aluminium products.
- ◆ The diffuser is toughened glass
- ◆ All fastener screws, nuts are stainless steel (exposed)

**Specification :**

- ◆ Size: 388mmx55mmx93mm
- ◆ Chip: CREE/ LUM LEDS/ EPI STAR/ OSRAM
- ◆ Beam Angle: 15°-90°
- ◆ CTT: 2700-6500K/RGB
- ◆ Power: 24W
- ◆ Voltage: DC24V
- ◆ Lifetime: 50,000hour
- ◆ Waterproof Grade: IP65

**Optional Color:**

## KS-XQD-18-18W/24W/36W



**Material:**

- ◆ The whole lamp is made of all aluminium products.
- ◆ The diffuser is toughened glass
- ◆ All fastener screws, nuts are stainless steel (exposed)

**Specification :**

- ◆ Size: 1000mmx35mmx71mm
- ◆ Chip: CREE/ LUM LEDS/ EPI STAR/ OSRAM
- ◆ Beam Angle: 15°-90°
- ◆ CTT: 2700-6500K/RGB
- ◆ Power: 18W/24W/36W
- ◆ Voltage: DC24V
- ◆ Lifetime: 50,000hour
- ◆ Waterproof Grade: IP68

**Optional Color:**

**Application:**  
LED wall wash lamp is a high-tech product specially designed for buildings and retro buildings. LED wall washing lights are brightly colored, dazzlingly charming, and can be controlled by the system to change colorful, flowing water, fantasy and other effects.



# LED line light

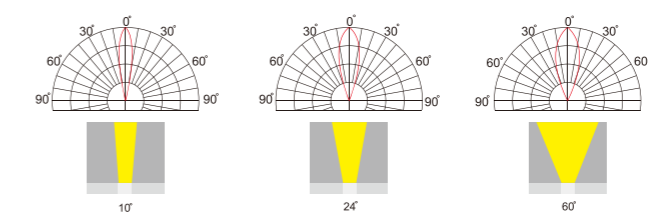
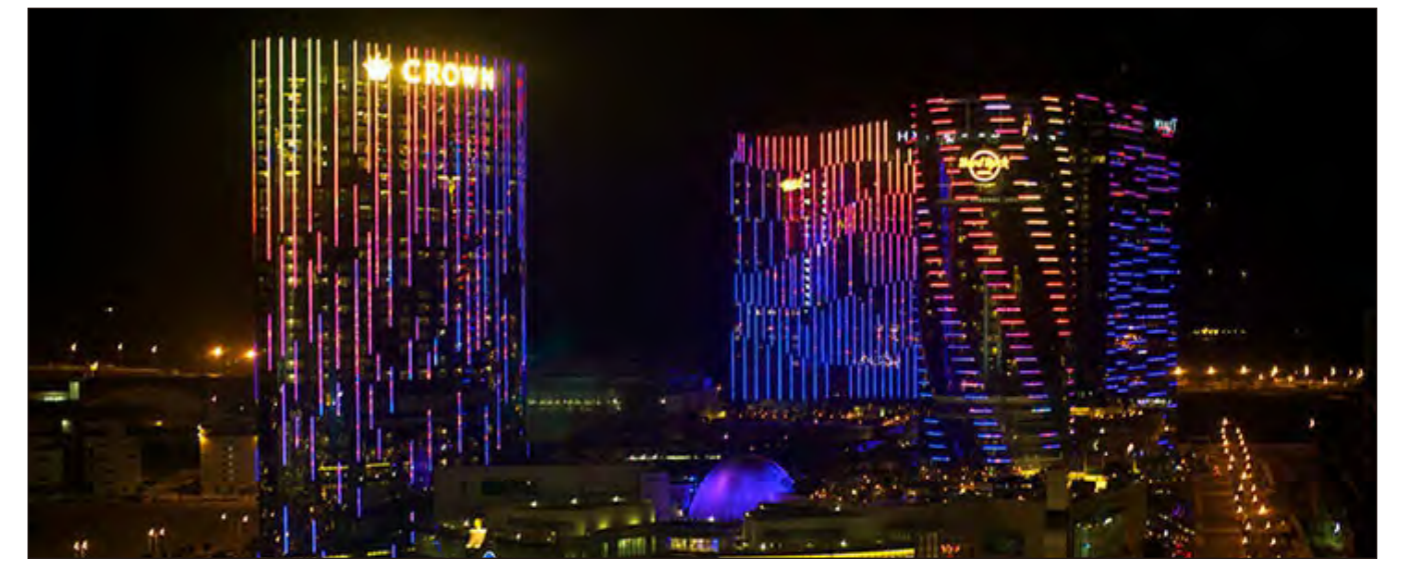


## Profile

LED line lamp series is a kind of high-end flexible decorative lights, which is characterized by low power consumption, long life, high brightness, easy to bend, free of maintenance, etc

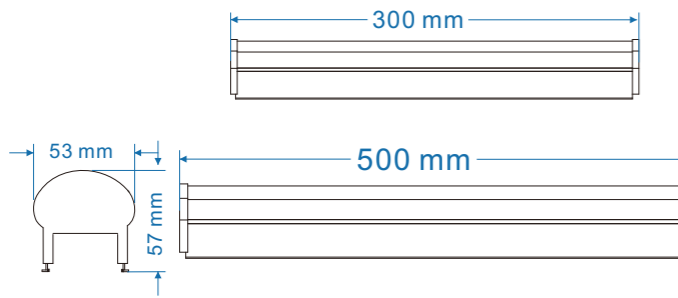
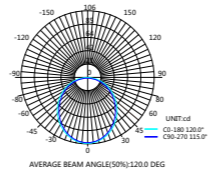
## Application

LED line lamp is very suitable for the government lighting project, commercial places, stages, conference rooms, display lights, ancient buildings, cultural square, viaduct, external walls, architectural landmarks and other internal and external walls of panoramic flood lighting, landscape buildings, outdoor square. Landscape and wall, display painting. General LED line lights are used in outdoor projects more.



配光曲线 (单位: cd) C0-180

## KS-XTD-01-15W



**Material:**

- ◆ The diffuser is made of PC material
- ◆ All fastener screws, nuts are stainless steel (exposed)

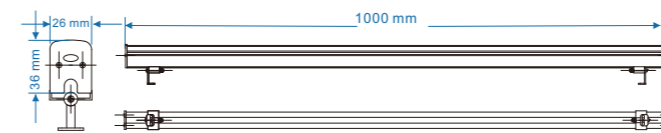
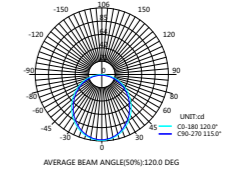
**Specification :**

- ◆ Size:300/500mmx53mmx57mm
- ◆ Chip: CREE/5050
- ◆ Beam Angle: 120°
- ◆ CTT: RGBW
- ◆ Power: 15W
- ◆ Voltage:DC24V
- ◆ Lifetime: 50. 000hour
- ◆ Waterproof Grade:IP67

**Optional Color:**



## KS-XTD-03-5W



**Material:**

- ◆ The diffuser is made of PC material
- ◆ All fastener screws, nuts are stainless steel (exposed)

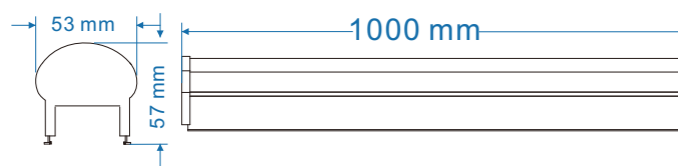
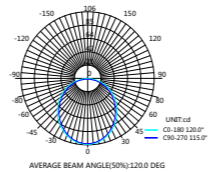
**Specification :**

- ◆ Size:1000mmx36mmx26mm
- ◆ Chip:CREE/EPISTAR/PHILIPS/OSRAM
- ◆ Beam Angle: 120°
- ◆ CTT: 2700-6500K/RGB
- ◆ Power: 6W
- ◆ Voltage:DC24V
- ◆ Lifetime: 50. 000hour
- ◆ Waterproof Grade:IP65

**Optional Color:**



## KS-XTD-02-15W



**Material:**

- ◆ The diffuser is made of PC material
- ◆ All fastener screws, nuts are stainless steel (exposed)

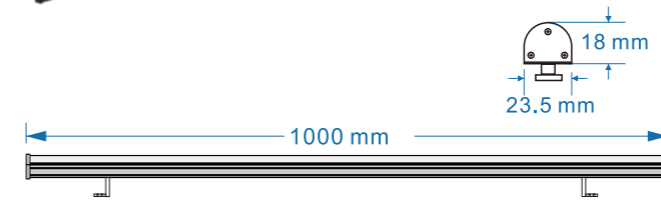
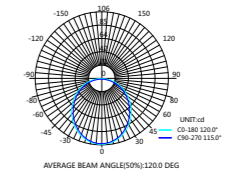
**Specification :**

- ◆ Size:1000mmx53mmx57mm
- ◆ Chip: CREE/5050
- ◆ Beam Angle: 120°
- ◆ CTT: RGB
- ◆ Power: 15W
- ◆ Voltage:DC24V
- ◆ Lifetime: 50. 000hour
- ◆ Waterproof Grade:IP67

**Optional Color:**



## KS-XTD-04-10W



**Material:**

- ◆ The diffuser is made of PC material
- ◆ All fastener screws, nuts are stainless steel (exposed)

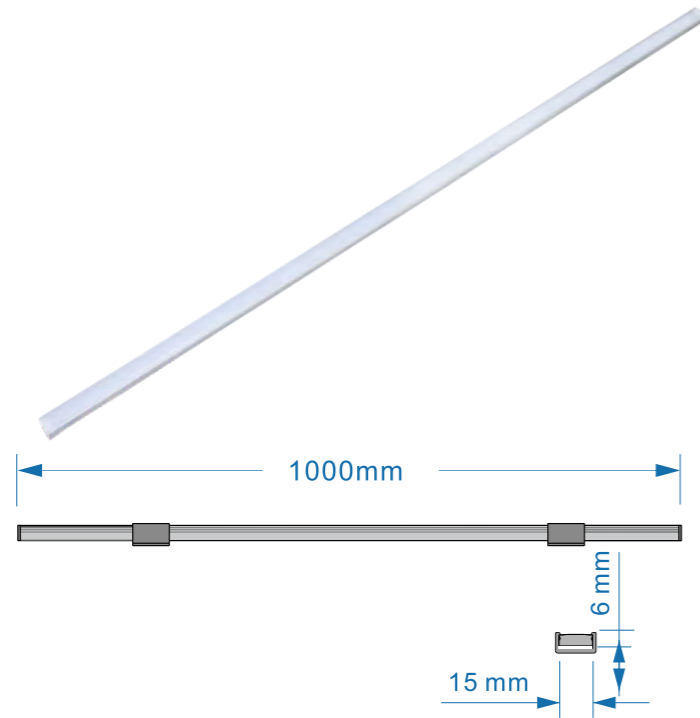
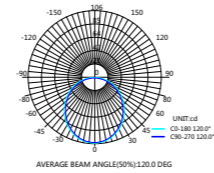
**Specification :**

- ◆ Size:1000mmx23.5mmx18mm
- ◆ Chip:CREE/EPISTAR/PHILIPS/OSRAM
- ◆ Beam Angle: 120°
- ◆ CTT: RGB
- ◆ Power: 6W
- ◆ Voltage:DC24V
- ◆ Lifetime: 50. 000hour
- ◆ Waterproof Grade:IP65

**Optional Color:**



## KS-XTD-05-5W



**Material:**

◆ All fastener screws, nuts are stainless steel (exposed)

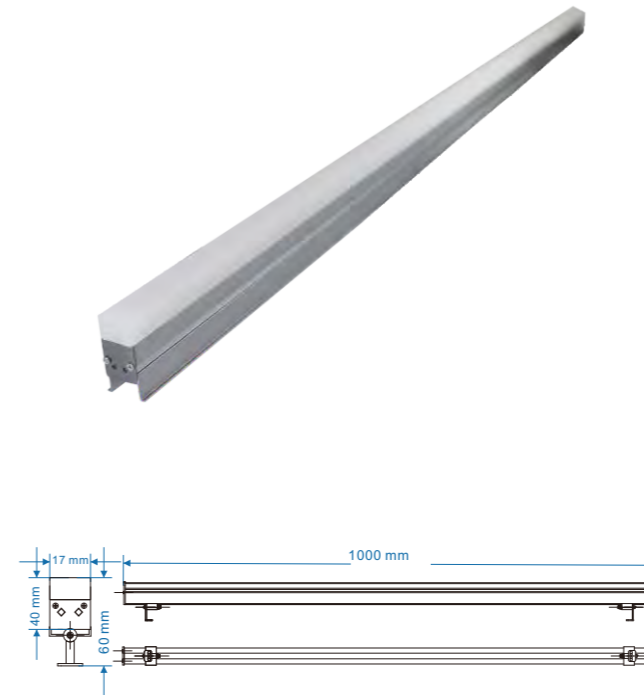
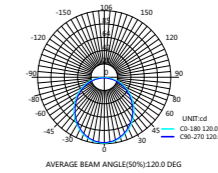
**Specification :**

- ◆ Size: 1000mmx15mmx6mm
- ◆ Chip: CREE/PHILIPS/LUMILEDS/Epistar
- ◆ Beam Angle: 120°
- ◆ CTT: 2700-6500K/RGB
- ◆ Power: 5W
- ◆ Voltage: DC24V
- ◆ Lifetime: 50,000hour
- ◆ Waterproof Grade: IP44

**Optional Color:**



## KS-XTD-07-6W



**Material:**

◆ All fastener screws, nuts are stainless steel (exposed)

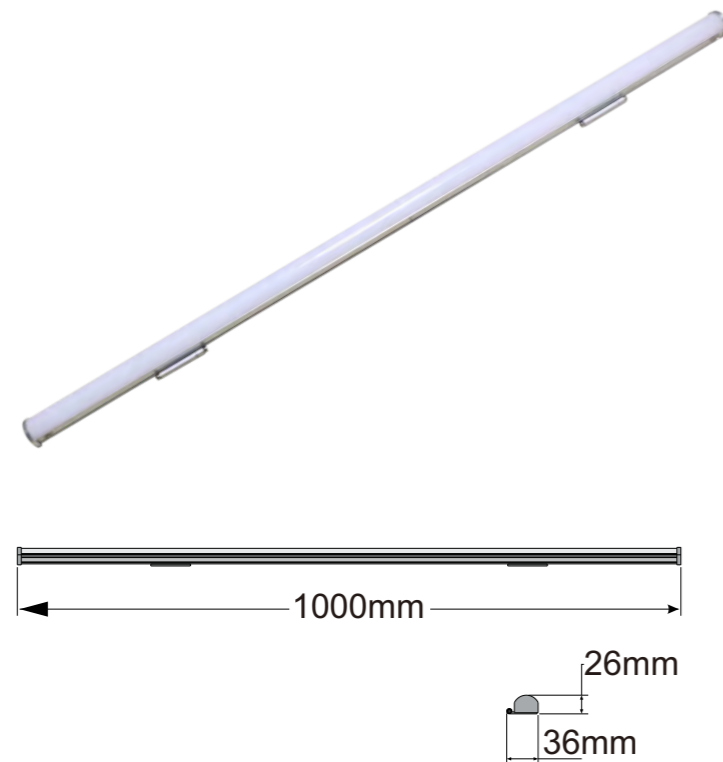
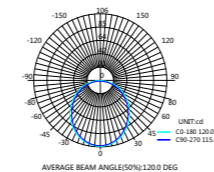
**Specification :**

- ◆ Size: 1000mmx17mmx60mm
- ◆ Chip: CREE/PHILIPS/OSRAM
- ◆ Beam Angle: 120°
- ◆ CTT: 2700-6500K/RGB
- ◆ Power: 6W
- ◆ Voltage: DC24V
- ◆ Lifetime: 50,000hour
- ◆ Waterproof Grade: IP67

**Optional Color:**



## KS-XTD-06-5W



**Material:**

◆ All fastener screws, nuts are stainless steel (exposed)

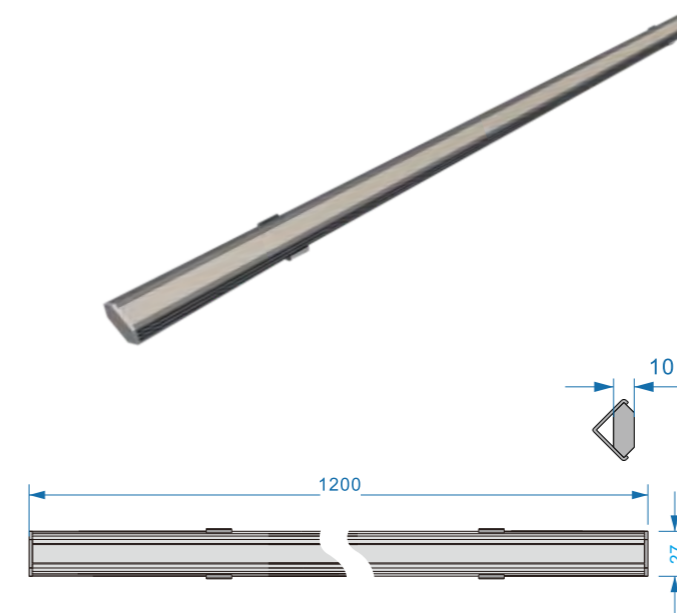
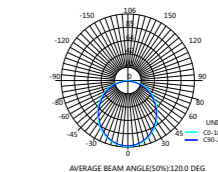
**Specification :**

- ◆ Size: 1000mmx36mmx26mm
- ◆ Chip: CREE/EPSTAR/PHILIPS/OSRAM
- ◆ Beam Angle: 120°
- ◆ CTT: 2700-6500K/RGB
- ◆ Power: 5W
- ◆ Voltage: DC24V
- ◆ Lifetime: 50,000hour
- ◆ Waterproof Grade: IP67

**Optional Color:**



## KS-XTD-08-6W



**Material:**

◆ All fastener screws, nuts are stainless steel (exposed)

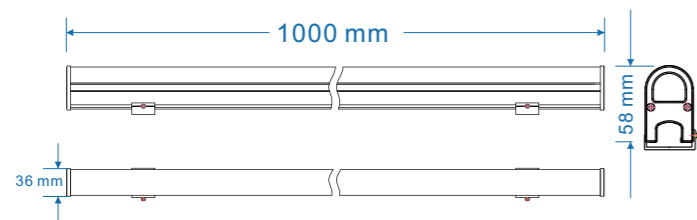
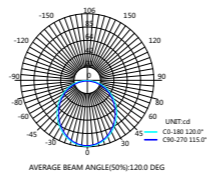
**Specification :**

- ◆ Size: 1200mmx27mmx10mm
- ◆ Chip: CREE/PHILIPS/LUMILEDS/Epistar
- ◆ Beam Angle: 120°
- ◆ CTT: RGB
- ◆ Power: 6W
- ◆ Voltage: DC24V
- ◆ Lifetime: 50,000hour
- ◆ Waterproof Grade: IP44

**Optional Color:**



## KS-XTD-09-10W/12W/24W



### Material:

- ◆ All fastener screws, nuts are stainless steel (exposed)

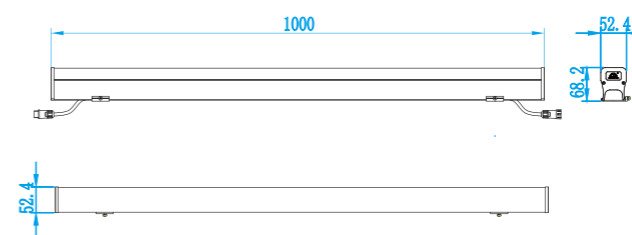
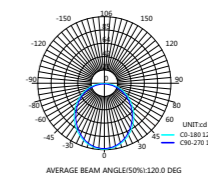
### Specification :

- ◆ Size: 1000mmx36mmx58mm
- ◆ Chip: CREE/SAMSUNG/EPISTAR/PHILIPS
- ◆ Beam Angle: 120°
- ◆ CTT: RGB
- ◆ Power: 10W/12W/24W
- ◆ Voltage: DC24V
- ◆ Lifetime: 50,000hour
- ◆ Waterproof Grade: IP65

### Optional Color:



## KS-XTD-11-10W/12W/24W



### Material:

- ◆ All fastener screws, nuts are stainless steel (exposed)

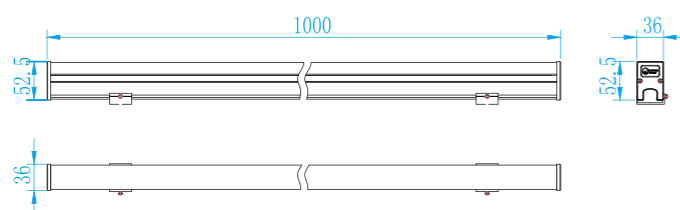
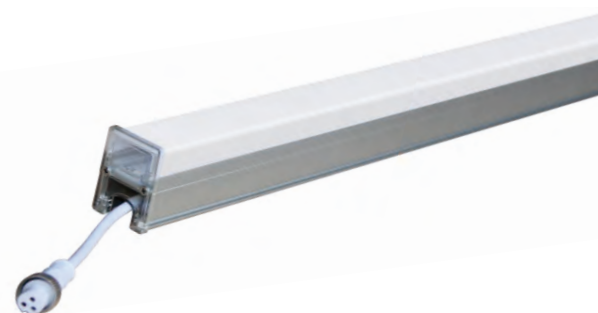
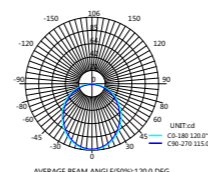
### Specification :

- ◆ Size: 1000mmx52.4mmx68mm
- ◆ Chip: CREE/SAMSUNG/EPISTAR/PHILIPS
- ◆ Beam Angle: 120°
- ◆ CTT: RGB
- ◆ Power: 10W/12W/24W
- ◆ Voltage: DC24V
- ◆ Lifetime: 50,000hour
- ◆ Waterproof Grade: IP65

### Optional Color:



## KS-XTD-10-10W/12W/24W



### Material:

- ◆ All fastener screws, nuts are stainless steel (exposed)

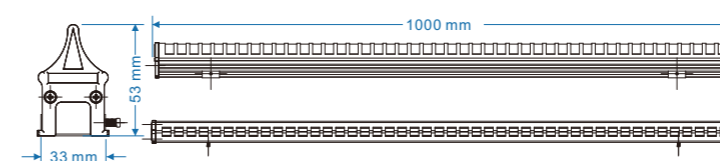
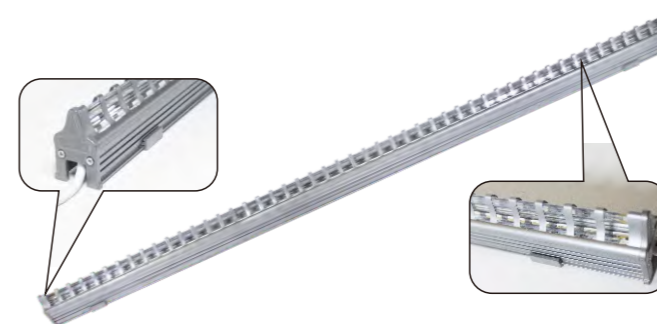
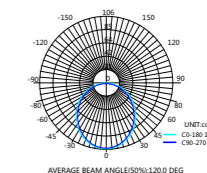
### Specification :

- ◆ Size: 1000mmx36mmx52.5mm
- ◆ Chip: CREE/SAMSUNG/EPISTAR/PHILIPS
- ◆ Beam Angle: 120°
- ◆ CTT: RGB
- ◆ Power: 10W/12W/24W
- ◆ Voltage: DC24V
- ◆ Lifetime: 50,000hour
- ◆ Waterproof Grade: IP65

### Optional Color:



## KS-XTD-12-14W



### Material:

- ◆ The whole lamp is made of all aluminium products.
- ◆ The diffuser is toughened glass
- ◆ All fastener screws, nuts are stainless steel (exposed)

### Specification :

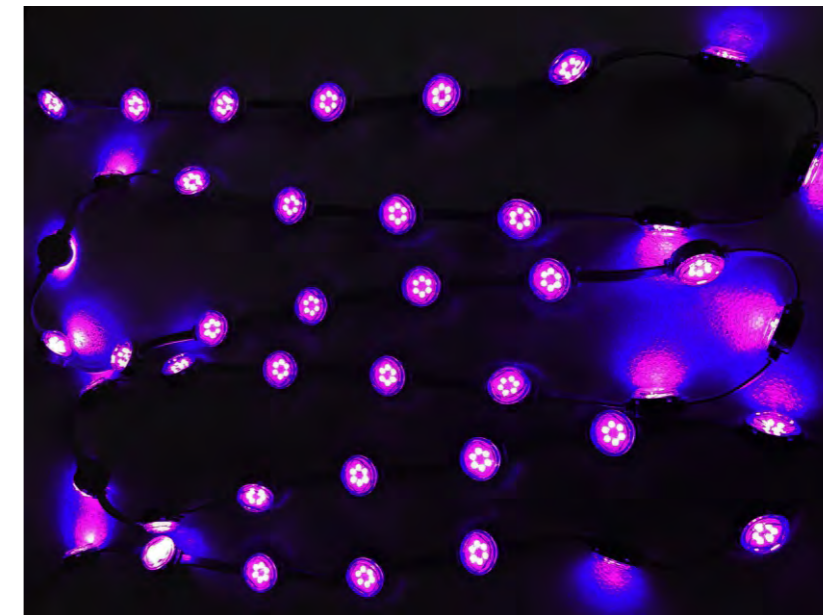
- ◆ Size: 1000mmx53mmx33mm
- ◆ Chip: CREE/SAMSUNG/EPISTAR/PHILIPS
- ◆ Beam Angle: 120°
- ◆ CTT: 2700K-6500K/RGB
- ◆ Power: 14W
- ◆ Voltage: DC24V
- ◆ Lifetime: 50,000hour
- ◆ Waterproof Grade: IP65

### Optional Color:



## LED Pixel light

LED Pixel light

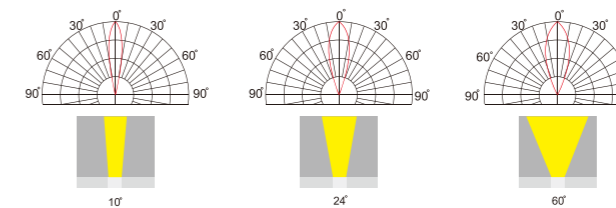


### Profile

The product USES the specialized waterproof joint multilevel connection combination, can form the point, the line, the surface each kind of shape to display the writing pattern. In practical engineering, it can be composed of regular shapes such as rectangle, square, strip, etc., or spherical, triangular and other shapes to display animation. The use of imported silicone seal waterproof, product performance and life more guarantee, more meet the requirements of outdoor installation. This product volume is small, the weight is light, the power consumption is small is widely used in the advertisement decoration illumination project, the square landscape project, the municipal lighting project and so on.

### Application

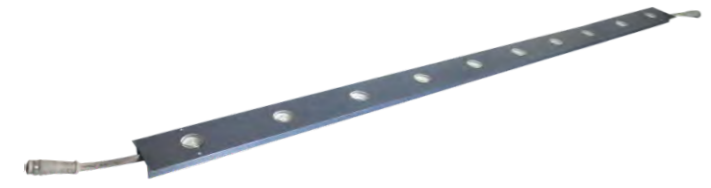
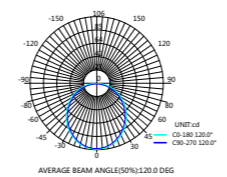
Building lighting, curtain wall decoration, community, commercial plaza lighting, Bridges, highways, signs and other urban lighting, cultural landscape, tourist attractions decoration, bars, KTV and other entertainment venues decoration, stage performance, party, concert decoration, advertising, media decoration!



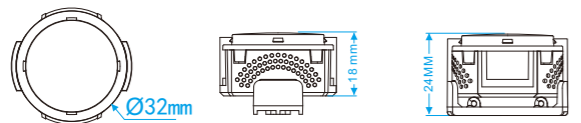
配光曲线 (单位: cd) C0-180



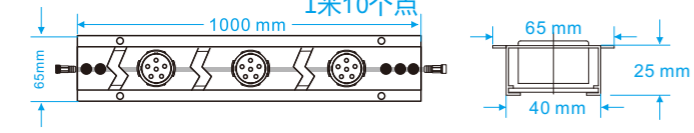
## KS-XSD-01-15W



Size: Ø32mmx18mmx24mm



Size: 1000mm\*65mm(40mm)\*25mm

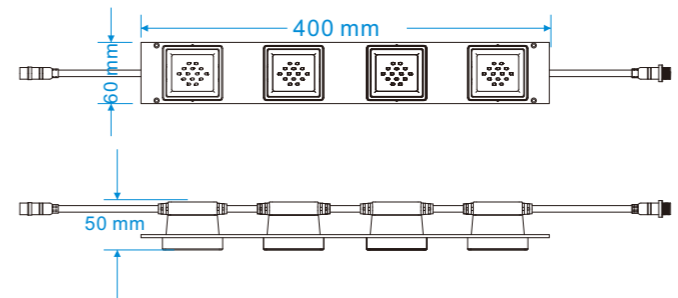
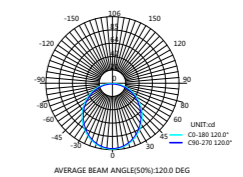


**Material:**  
 ◆ The diffuser is toughened glass  
 ◆ All fastener screws, nuts are stainless steel (exposed)

**Specification :**  
 ◆ Size: Ø32mmx18mmx24mm  
 ◆ Size: 1000mmx65mmx25mm  
 ◆ Chip: CREE/EPISTAR/PHILIPS/OSRAM  
 ◆ Beam Angle: 120°  
 ◆ CTT: RGB  
 ◆ Power: 15W/M  
 ◆ Voltage: DC24V  
 ◆ Lifetime: 50,000hour  
 ◆ Waterproof Grade: IP65

**Optional Color:**

## KS-XSD-03-2W

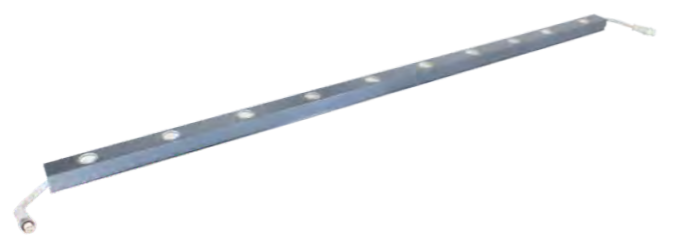
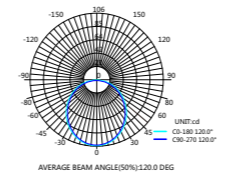


**Material:**  
 ◆ The whole lamp is made of all aluminium products.  
 ◆ All fastener screws, nuts are stainless steel (exposed)

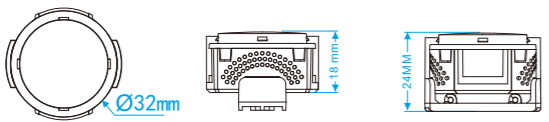
**Specification :**  
 ◆ Size: 400mmx60mmx50mm  
 ◆ Chip: CREE/SAMSUNG/EPISTAR/PHILIPS  
 ◆ Beam Angle: 120°  
 ◆ CTT: 2700K-6500K/RGB  
 ◆ Power: 2W/ pcs  
 ◆ Voltage: DC24V  
 ◆ Lifetime: 50,000hour  
 ◆ Waterproof Grade: IP66

**Optional Color:**

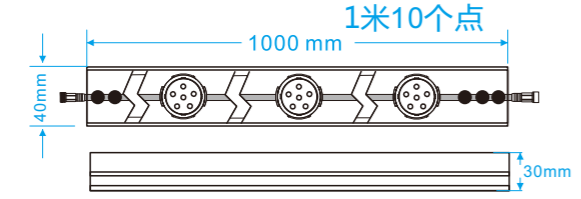
## KS-XSD-02-15W



Size: Ø32mmx18mmx24mm



Size: 1000mm\*40mm\*30mm

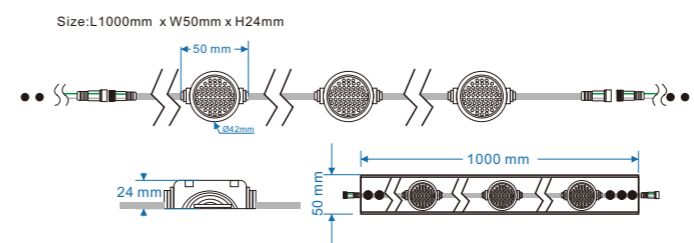
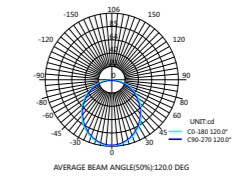


**Material:**  
 ◆ The diffuser is toughened glass  
 ◆ All fastener screws, nuts are stainless steel (exposed)

**Specification :**  
 ◆ Size: Ø32mmx18mmx24mm  
 ◆ Size: 1000mmx40mmx30mm  
 ◆ Chip: CREE/EPISTAR/PHILIPS/OSRAM  
 ◆ Beam Angle: 120°  
 ◆ CTT: RGB  
 ◆ Power: 15W/M  
 ◆ Voltage: DC24V  
 ◆ Lifetime: 50,000hour  
 ◆ Waterproof Grade: IP65

**Optional Color:**

## KS-XSD-04-2W

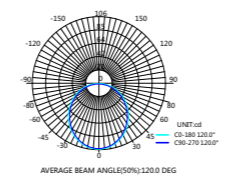
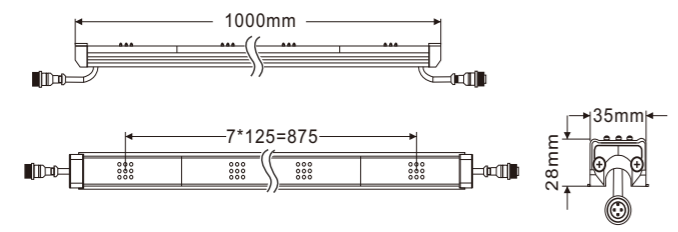


**Material:**  
 ◆ The whole lamp is made of all aluminium products.  
 ◆ All fastener screws, nuts are stainless steel (exposed)

**Specification :**  
 ◆ Size: 1000mmx50mmx24mm  
 ◆ Chip: CREE/SAMSUNG/EPISTAR/PHILIPS  
 ◆ Beam Angle: 110°  
 ◆ CTT: 2700K-6500K/RGB  
 ◆ Power: 2W/ pcs  
 ◆ Voltage: DC24V  
 ◆ Lifetime: 50,000hour  
 ◆ Waterproof Grade: IP65

**Optional Color:**

## KS-XSD-05-36W



**Material:**

- ◆ The diffuser is toughened glass
- ◆ All fastener screws, nuts are stainless steel (exposed)

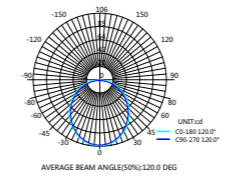
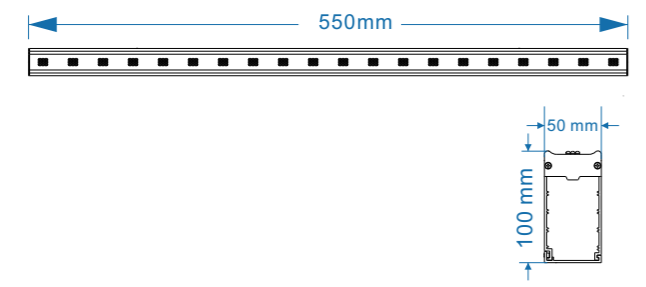
**Specification :**

- ◆ Size: 1000mmx35mmx28mm
- ◆ Chip: CREE/PHILIPS/LUMILEDS/EPISTAR
- ◆ Beam Angle: 5-45°
- ◆ CTT: 2700K-6500K/RGB
- ◆ Power: 6W/12W/18W/24W/36M
- ◆ Voltage: DC24V
- ◆ Lifetime: 50,000hour
- ◆ Waterproof Grade: IP68

**Optional Color:**



## KS-XSD-06-36W



**Material:**

- ◆ The diffuser is toughened glass
- ◆ All fastener screws, nuts are stainless steel (exposed)

**Specification :**

- ◆ Size: 550mmx100mmx50mm
- ◆ Chip: CREE/PHILIPS/LUMILEDS/EPISTAR
- ◆ Beam Angle: 120°
- ◆ CTT: 2700K-6500K/RGB
- ◆ Power: 12W/24W/36M
- ◆ Voltage: DC24V
- ◆ Lifetime: 50,000hour
- ◆ Waterproof Grade: IP65

**Optional Color:**



## LED Flood light

LED Flood light



### Features

1. Adopt internal and external anti-strong earthquake structure design.
2. with high-efficiency gas discharge lamp as the light source, the service life of the bulb is longer than 50000 hours, especially suitable for outdoor large area unattended lighting.
3. using light alloy materials and high-tech spraying technology, the shell will never rust, never corrosion.
4. the use of new technology such as rolling, to ensure good integrity of the shell, sealing reliable, waterproof and dustproof.
5. with good electromagnetic compatibility, will not cause electromagnetic interference to the surrounding environment.
6. The overall heat dissipation of the lamps is good, which can reduce the probability of failure.

### Application

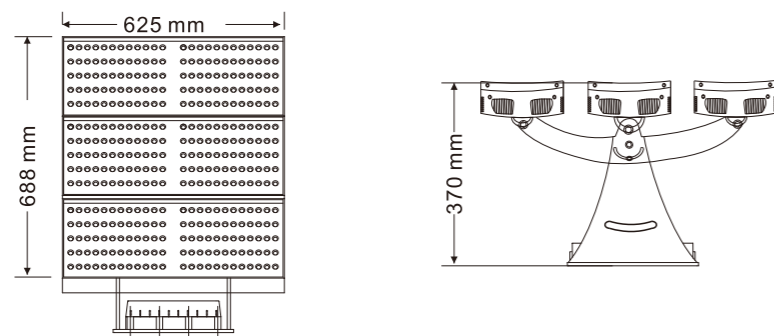
Main application places: building facade, square, leisure sports field, stage, billboard, rocky, building exterior lighting, landscape lighting, sign and indicative lighting, interior space display lighting, entertainment places and stage lighting, video screen lights, Bridges, etc.



## KS-TGD-01-1000W

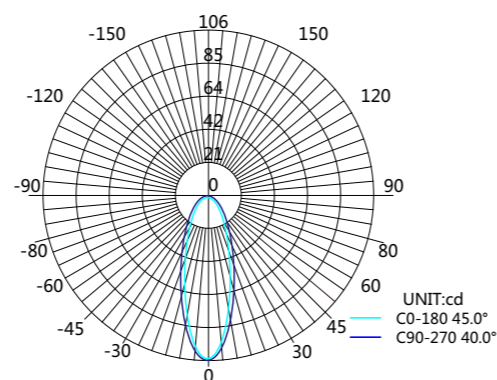


Size: 688mm x 625mm x 370mm



### Specification:

- Light size: 688x625x370mm
- Material: Aluminum + Glass
- Light source: CREE/OSRAM/LUMILEDS/EPISTAR
- Beam Angle: 45°
- Waterproof Grade: IP65
- CTT: RGBW
- Power: 1000W
- Voltage: AC220V
- Lifetime: ≥50000小时
- Insulation class: Class II



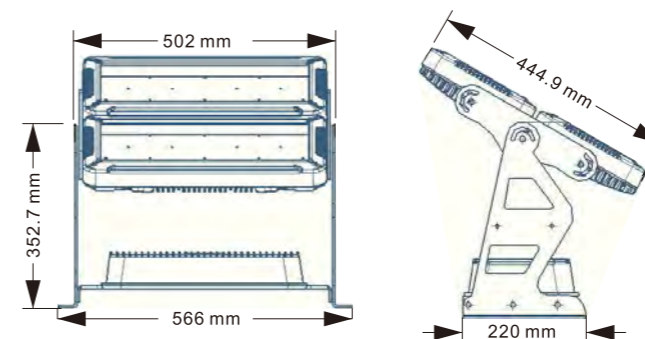
可选颜色:



## KS-TGD-02-270W

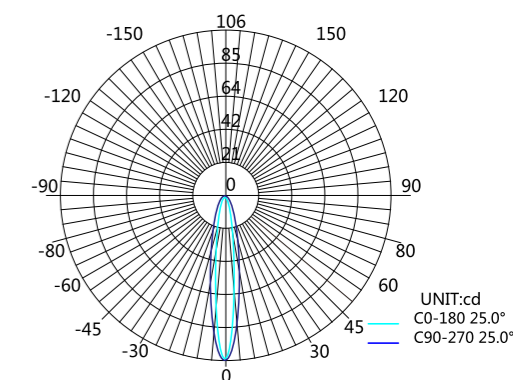


Size: 566mm x 444.9mm x 352.7mm



### Specification:

- Light size: 502x444.9x352.7mm
- Material: Aluminum + Glass
- Light source: CREE/OSRAM/LUMILEDS/EPISTAR
- Beam Angle: 10-25°
- Waterproof Grade: IP65
- CTT: 3000K
- Power: 270W
- Voltage: AC100-277V/DC24V/DC36V/DC48V
- Lifetime: ≥50000小时
- Insulation class: Class II



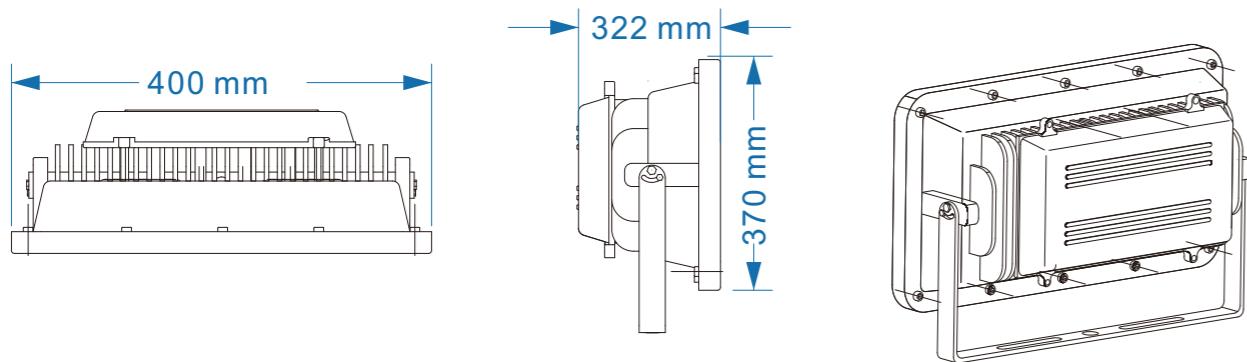
可选颜色:



## KS-TGD-03-400W

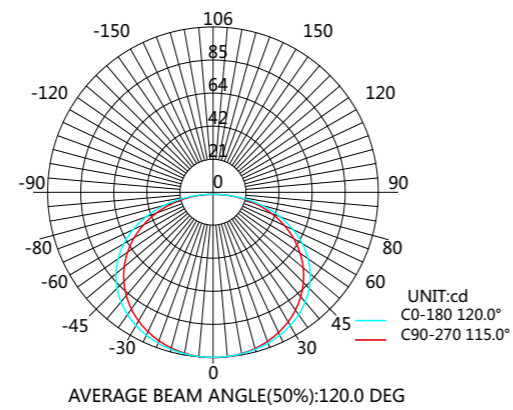


Size: 370mm x 322mm x 400mm



### Specification:

- Light size: 370x322x400mm
- Material: Aluminum + Glass
- Light source: CREE/OSRAM/LUMILEDS/EPISTAR
- Beam Angle: 120°
- Waterproof Grade: IP65
- CTT: 6000K
- Power: 400W
- Voltage: AC220V
- Lifetime: ≥50000小时
- Insulation class: Class II



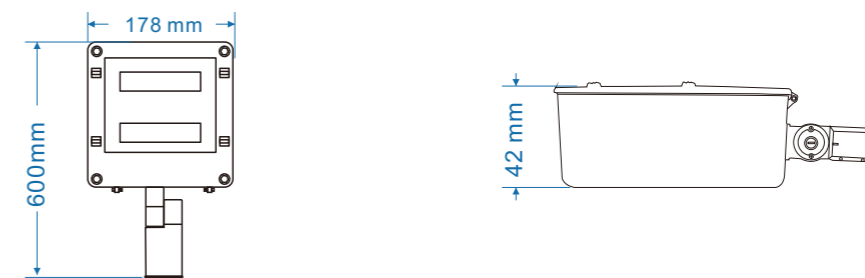
可选颜色:



## KS-TGD-04-17W

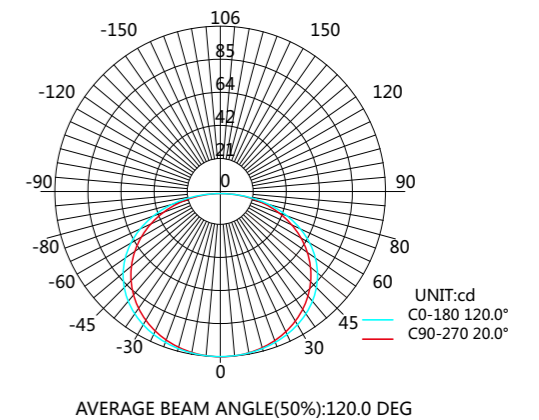


Size: 600mm x 178mm x 42mm



### Specification:

- Light size: 600x178x42mm
- Material: Aluminum + Glass
- Light source: CREE/OSRAM/LUMILEDS/EPISTAR
- Beam Angle: 120°
- Waterproof Grade: IP65
- CTT: 3000K
- Power: 17W
- Voltage: AC220V
- Lifetime: ≥50000小时
- Insulation class: Class II



可选颜色:



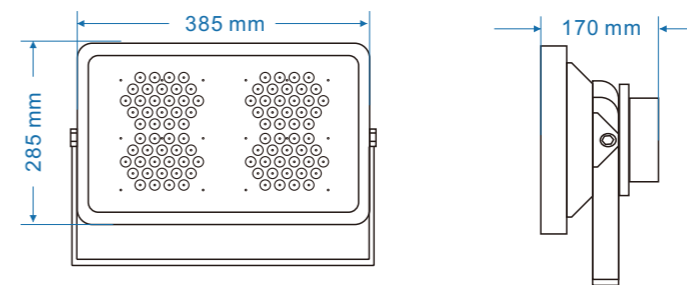
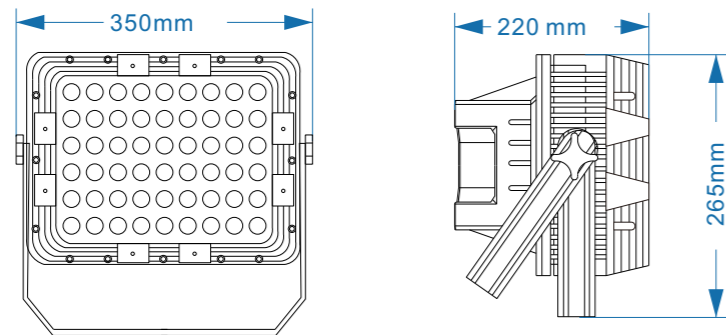
## KS-TGD-05-150W

## KS-TGD-06-120W



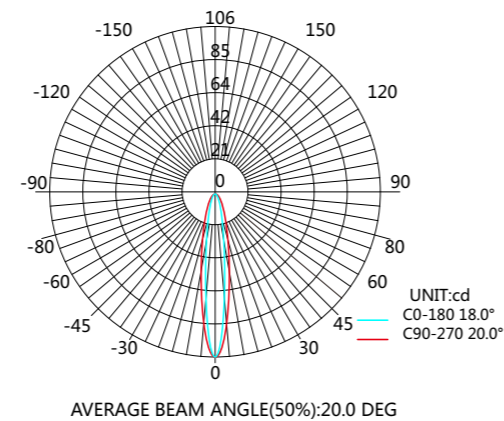
Size: 350mm x 220mm x 265mm

Size: 385mm x 285mm x 170mm



### Specification :

- Light size:350x220x265mm
- Material:Aluminum + Glass
- Light source:CREE/OSRAM/LUMILEDS/EPISTAR
- Beam Angle:20°
- Waterproof Grade:IP65
- CTT:3000K
- Power:150W
- Voltage:AC220V
- Lifetime:≥50000小时
- Insulation class:Class II

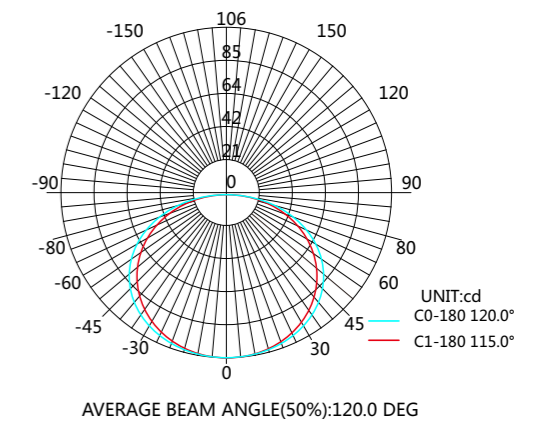


可选颜色:



### Specification :

- Light size:385x285x170mm
- Material:Aluminum + Glass
- Light source:CREE/OSRAM/LUMILEDS/EPISTAR
- Beam Angle:120°
- Waterproof Grade:IP65
- CTT:3000K
- Power:120W
- Voltage:AC220V
- Lifetime:≥50000小时
- Insulation class:Class II



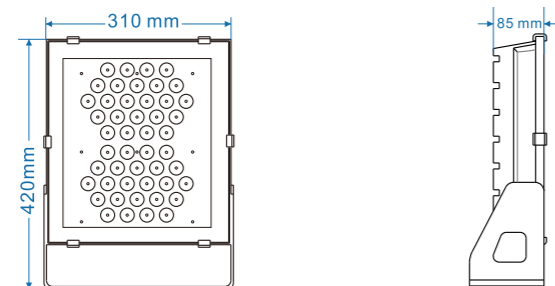
可选颜色:



## KS-TGD-07-120W

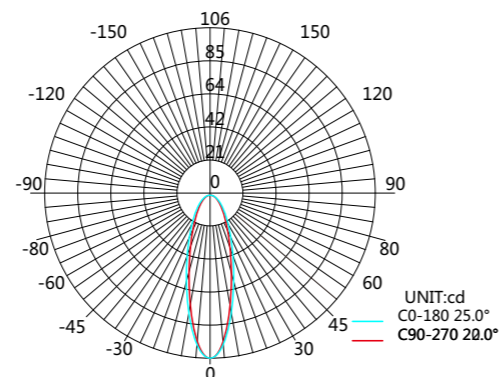


Size: 420mm x 310mm x 85mm



### Specification:

- Light size:420x310x85mm
- Material:Aluminum + Glass
- Light source:CREE/OSRAM/LUMILEDS/EPISTAR
- Beam Angle:25°
- Waterproof Grade:IP67
- CTT:4000K
- Power:120W
- Voltage:DC36V
- Lifetime:≥50000小时
- Insulation class:Class II

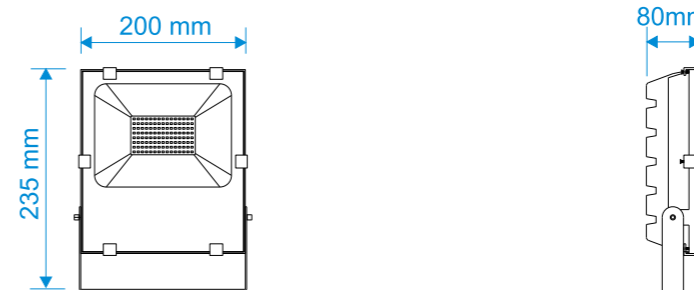


AVERAGE BEAM ANGLE(50%):25.0 DEG  
 可选颜色:

## KS-TGD-08-50W

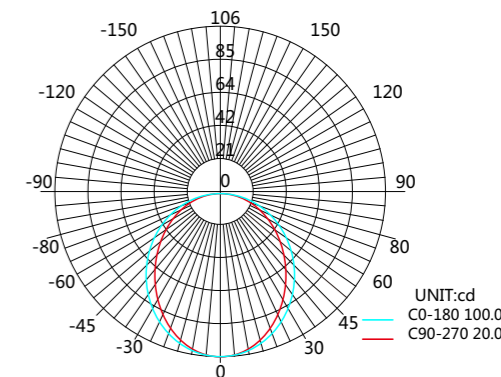


Size : 235mm x 200mm x80mm



### Specification:

- Light size:235x200x80mm
- Material:Aluminum + Glass
- Light source:CREE/OSRAM/LUMILEDS/EPISTAR
- Beam Angle:120°
- Waterproof Grade:IP65
- CTT:4000K
- Power:50W
- Voltage:AC220V
- Lifetime:≥50000小时
- Insulation class:Class II

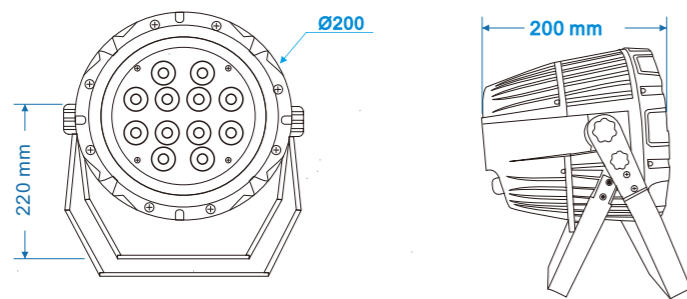


AVERAGE BEAM ANGLE(50%):100.0 DEG  
 可选颜色:

## KS-TGD-09-130W

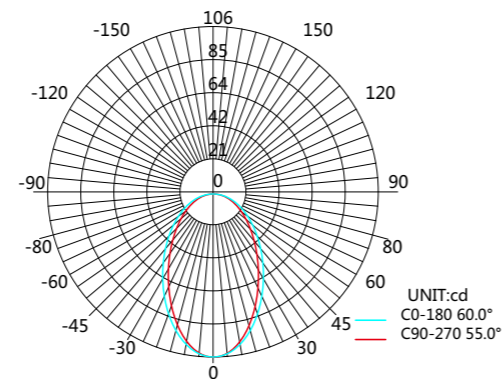


Size: Ø200mm x 200mm x 220mm



### Specification:

- Light size: Ø200x200x200mm
- Material: Aluminum + Glass
- Light source: SAMSUNG/CREE/EPISTAR/OSRAM
- Beam Angle: 60°
- Waterproof Grade: IP65
- CTT: 3000K
- Power: 36W/130W
- Voltage: AC220V
- Lifetime: ≥50000 小时
- Insulation class: Class II

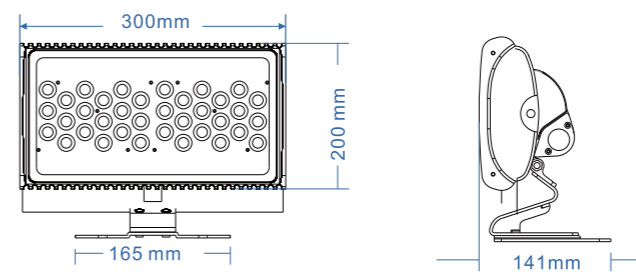


AVERAGE BEAM ANGLE(50%):60.0 DEG  
 可选颜色:

## KS-TGD-10-64W

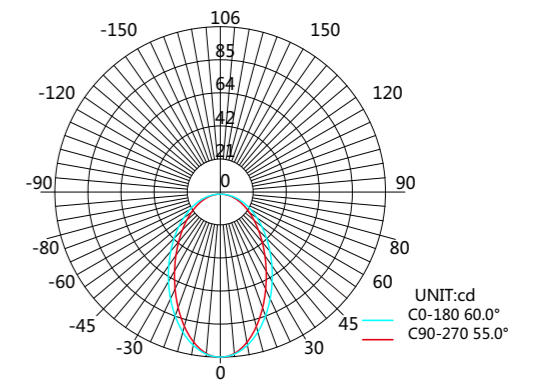


Size: 300mm x 200mm x 141mm



### Specification:

- Light size: 300mm x 200mm x 141mm
- Material: Aluminum + Glass
- Light source: SAMSUNG/CREE/EPISTAR/OSRAM
- Beam Angle: 60°
- Waterproof Grade: IP65
- CTT: 3000K/4000K
- Power: 56W/64W
- Voltage: AC220V
- Lifetime: ≥50000 小时
- Insulation class: Class II

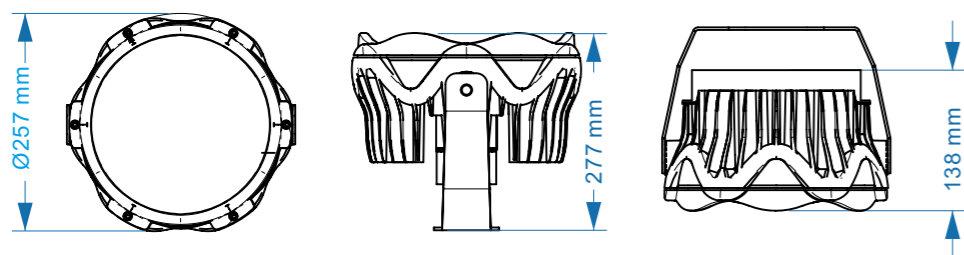


AVERAGE BEAM ANGLE(50%):60.0 DEG  
 可选颜色:

## KS-TGD-11-120W

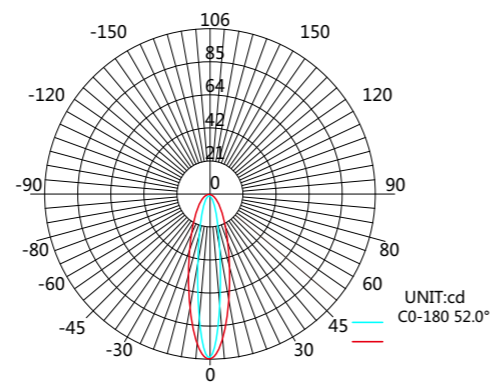


Size: Ø257mm x 277mm x 138mm



### Specification:

- Light size: Ø257mm x 277mm x 138mm
- Material: Aluminum + Glass
- Light source: CREE
- Beam Angle: 52°
- Waterproof Grade: IP65
- CTT: 3000K
- Power: 120W
- Voltage: AC220V
- Lifetime: ≥50000小时
- Insulation class: Class II



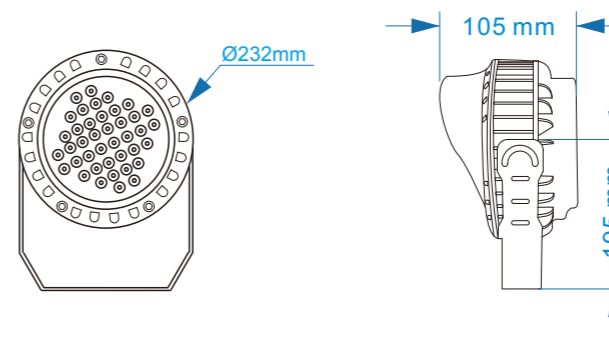
AVERAGE BEAM ANGLE(50%):52.0 DEG

可选颜色:

## KS-TGD-12-32W

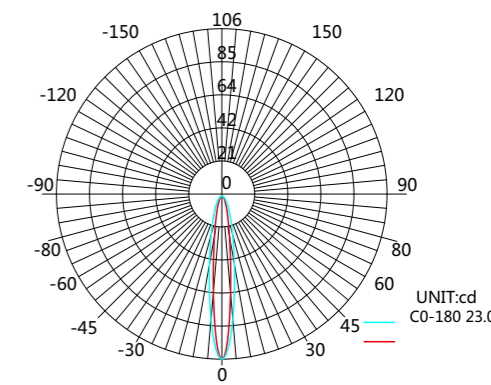


Size: Ø232mm x 105mm



### Specification:

- Light size: Ø232mm x 105mm
- Material: Aluminum + Glass
- Light source: SAMSUNG/CREE/EPISTAR/OSRAM
- Beam Angle: 23°
- Waterproof Grade: IP65
- CTT: 3000K
- Power: 32W
- Voltage: AC220V
- Lifetime: ≥50000小时
- Insulation class: Class II



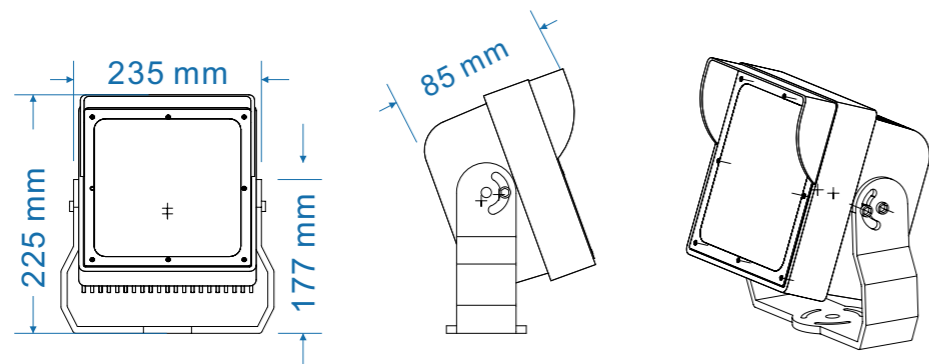
AVERAGE BEAM ANGLE(50%):23.0 DEG

可选颜色:

## KS-TGD-13-48W

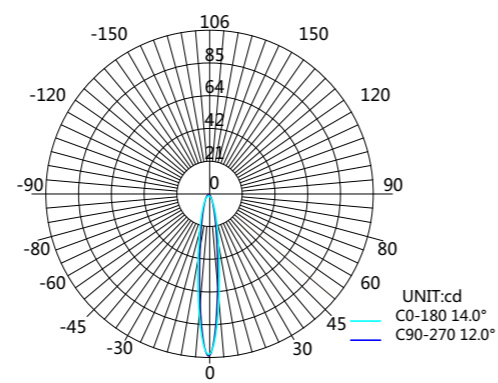


Size: 235mmx85mmx225mm



### Specification:

- Light size:  $\varnothing$ 235mm x 85mmx225mm
- Material: Aluminum + Glass
- Light source: CREE
- Beam Angle: 15°
- Waterproof Grade: IP65
- CTT: 3000K
- Power: 48W
- Voltage: DC24V
- Lifetime:  $\geq$ 50000小时
- Insulation class: Class II



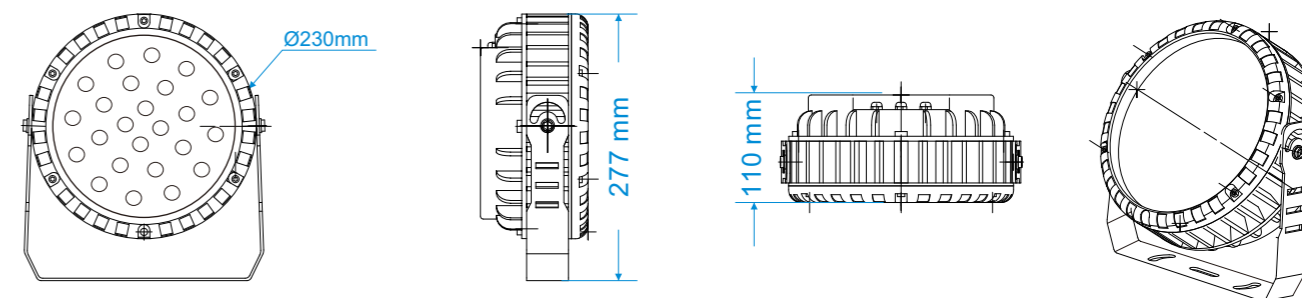
AVERAGE BEAM ANGLE(50%):15.0 DEG

可选颜色:

## KS-TGD-14-48W

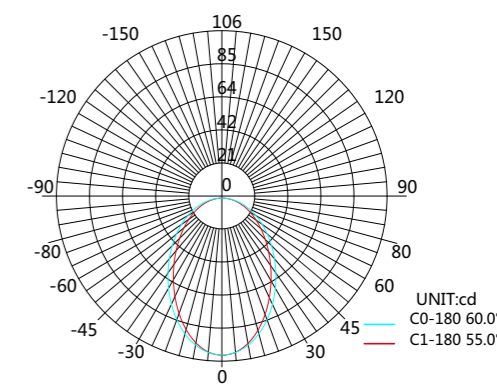


Size:  $\varnothing$ 230mmx110mmx277mm



### Specification:

- Light size:  $\varnothing$ 232mm x 105mm
- Material: Aluminum + Glass
- Light source: SAMSUNG/CREE/EPISTAR/OSRAM
- Beam Angle: 60°
- Waterproof Grade: IP65
- CTT: 3000K
- Power: 48W
- Voltage: AC220V
- Lifetime:  $\geq$ 50000小时
- Insulation class: Class II



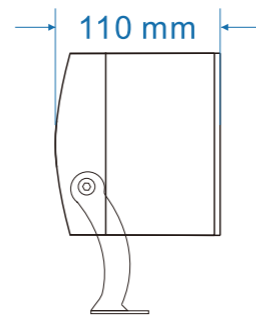
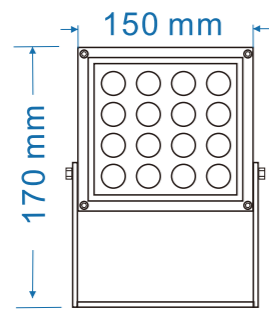
AVERAGE BEAM ANGLE(50%):60.0 DEG

可选颜色:

## KS-TGD-15-32W

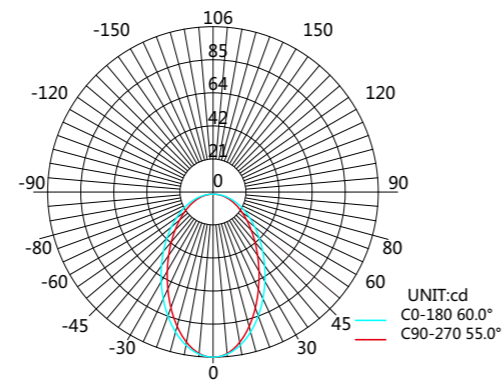


Size: 150mm x 110mm x 170mm



### Specification:

- Light size: Ø150mm x 110mm x 170mm
- Material: Aluminum + Glass
- Light source: SAMSUNG/CREE/EPISTAR/OSRAM
- Beam Angle: 60°
- Waterproof Grade: IP66
- CTT: 3000K/4000K
- Power: 32W
- Voltage: AC220V
- Lifetime: ≥50000小时
- Insulation class: Class II



AVERAGE BEAM ANGLE(50%):60.0 DEG

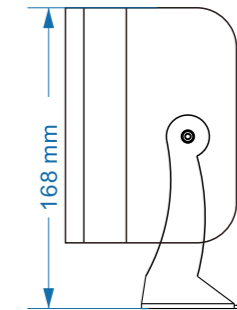
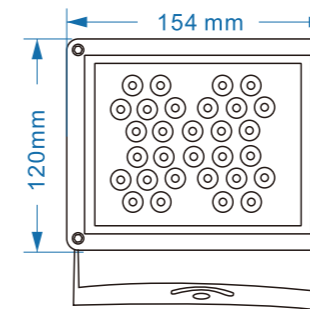
可选颜色:



## KS-TGD-16-18W

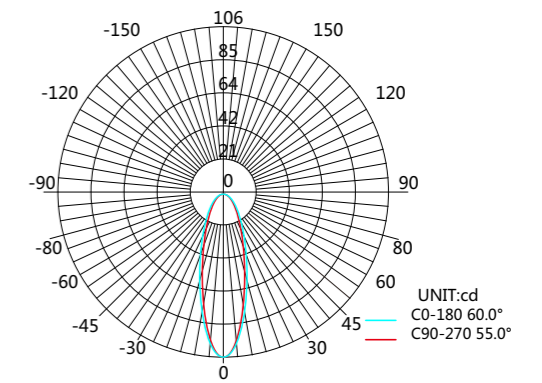


Size: 154mm x 120mm x 168mm



### Specification:

- Light size: Ø154mm x 120mm x 168mm
- Material: Aluminum + Glass
- Light source: SAMSUNG/CREE/EPISTAR/OSRAM
- Beam Angle: 60°
- Waterproof Grade: IP67
- CTT: 3000K
- Power: 18W
- Voltage: AC220V
- Lifetime: ≥50000小时
- Insulation class: Class II



AVERAGE BEAM ANGLE(50%):60.0 DEG

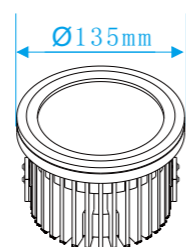
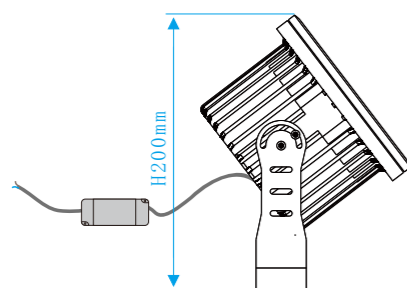
可选颜色:



## KS-TGD-17-12W

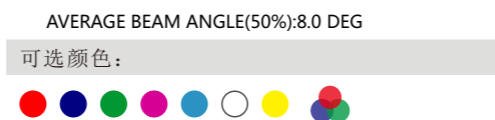
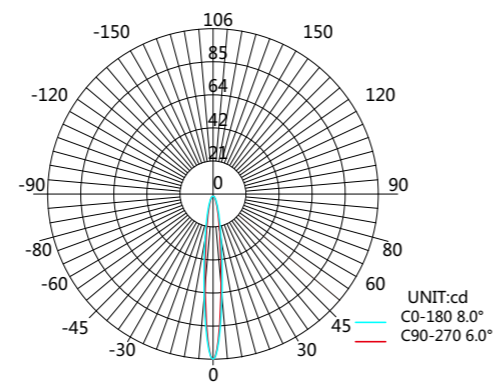


Size: Ø135mm x 200mm



### Specification:

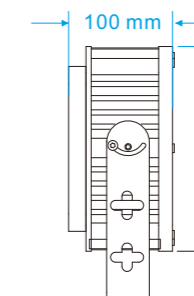
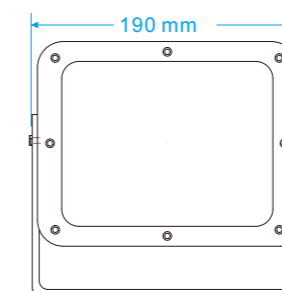
- Light size: Ø135mm x 200mm
- Material: Aluminum + Glass
- Light source: SAMSUNG/CREE/EPISTAR/OSRAM
- Beam Angle: 8°
- Waterproof Grade: IP66
- CTT: 3000K
- Power: 12W
- Voltage: AC220V
- Lifetime: ≥50000小时
- Insulation class: Class II



## KS-TGD-18-30W

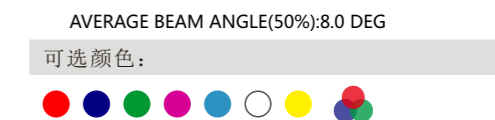
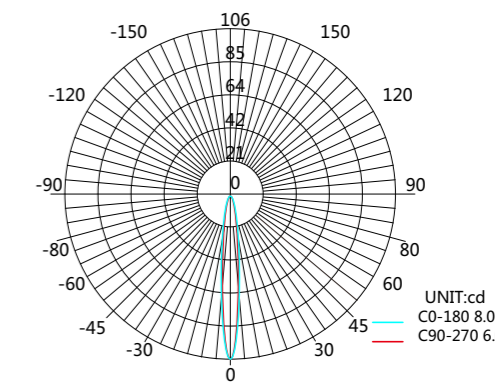


Size: 190mm x 190mm x 100mm



### Specification:

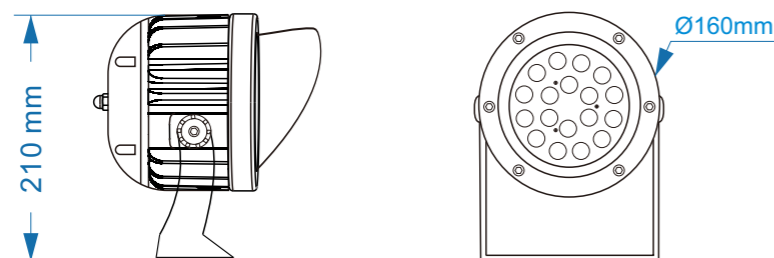
- Light size: Ø190mm x 190mm x 100mm
- Material: Aluminum + Glass
- Light source: SAMSUNG/CREE/EPISTAR/OSRAM
- Beam Angle: 60°
- Waterproof Grade: IP65
- CTT: 4000K
- Power: 30W
- Voltage: AC220V
- Lifetime: ≥50000小时
- Insulation class: Class II



## KS-TGD-19-18W

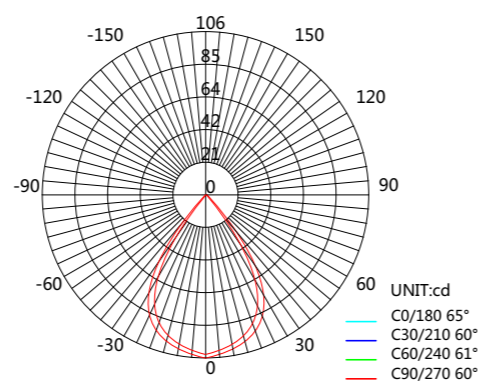


Size: Ø160mm x 210mm



### Specification:

- Light size: Ø160mm x 210mm
- Material: Aluminum + Glass
- Light source: SAMSUNG/CREE/EPISTAR/OSRAM
- Beam Angle: 8°
- Waterproof Grade: IP65
- CTT: 220K
- Power: 18W
- Voltage: AC220V
- Lifetime: ≥50000小时
- Insulation class: Class II



AVERAGE BEAM ANGLE(50%):65 DEG

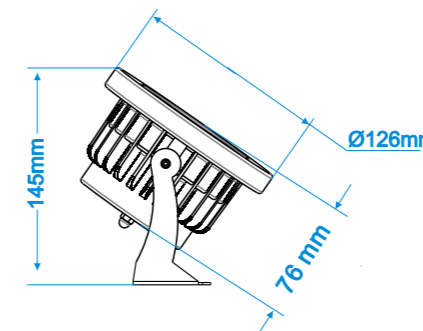
可选颜色:



## KS-TGD-20-5W

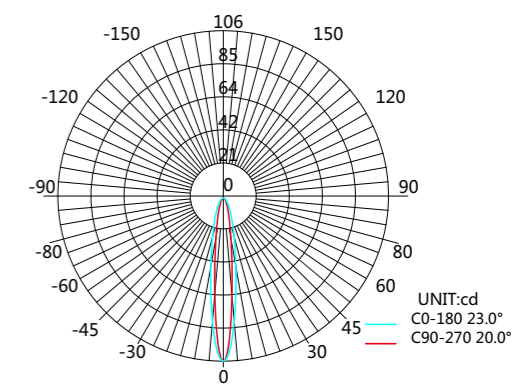


Size: Ø126mm x 76mm x 145mm



### Specification:

- Light size: Ø126mm x 76mm x 145mm
- Material: Aluminum + Glass
- Light source: SAMSUNG/CREE/EPISTAR/OSRAM
- Beam Angle: 30°
- Waterproof Grade: IP65
- CTT: 3000K
- Power: 5W
- Voltage: AC220V
- Lifetime: ≥50000小时
- Insulation class: Class II



AVERAGE BEAM ANGLE(50%):23.0 DEG

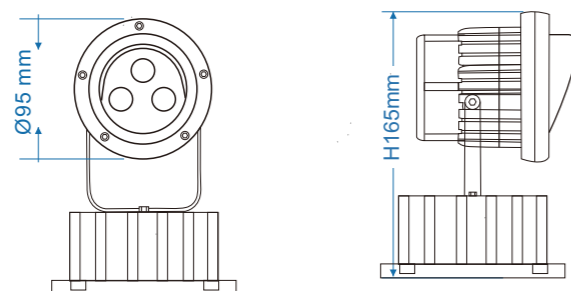
可选颜色:



## KS-TGD-21-9W

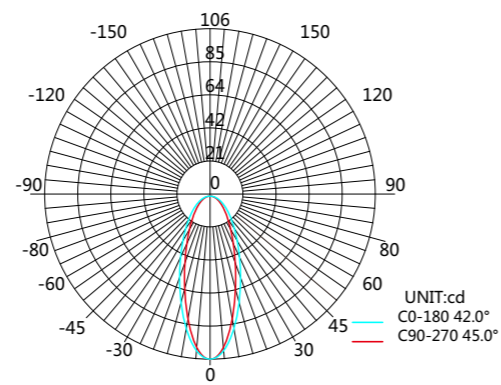


Size: Ø95mm x 165mm



### Specification:

- Light size:Ø95mm x 165MM
- Material:Aluminum + Glass
- Light source:SAMSUNG/CREE/EPISTAR/OSRAM
- Beam Angle:45°
- Waterproof Grade:IP65
- CTT: RGB
- Power:9W
- Voltage:AC12V
- Lifetime:≥50000小时
- Insulation class:Class II

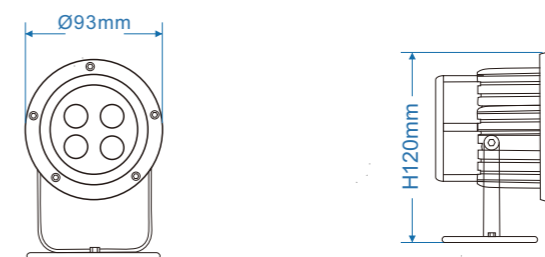


AVERAGE BEAM ANGLE(50%):45.0 DEG  
 可选颜色:

## KS-TGD-22-9W

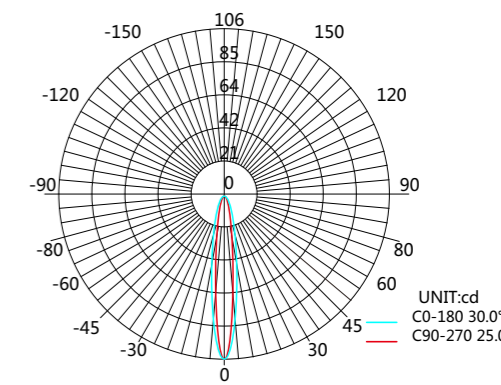


Size: Ø93mm x 120mm



### Specification:

- Light size:Ø93mm x 120mm
- Material:Aluminum + Glass
- Light source:SAMSUNG/CREE/EPISTAR/OSRAM
- Beam Angle:30°
- Waterproof Grade:IP65
- CTT: RGB+WW
- Power:9W
- Voltage:AC220V
- Lifetime:≥50000小时
- Insulation class:Class II

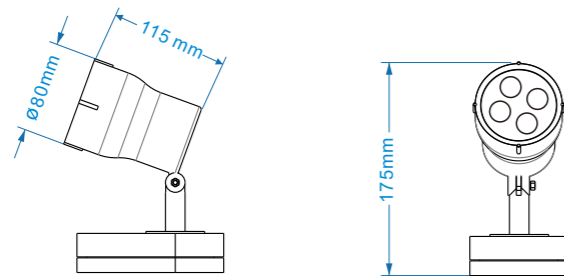


AVERAGE BEAM ANGLE(50%):30.0 DEG  
 可选颜色:

## KS-TGD-23-8W

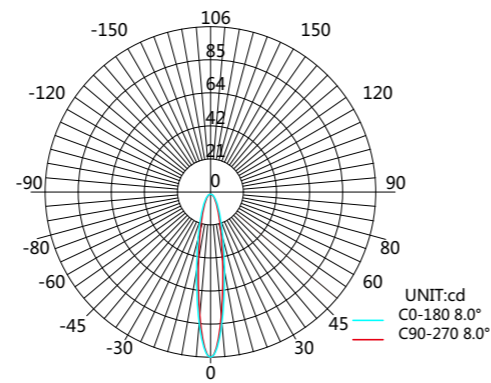


Size: Ø80mm x 115mm x 175mm



### Specification:

- Light size: Ø80mm x 115mm x 175mm
- Material: Aluminum + Glass
- Light source: SAMSUNG/CREE/EPISTAR/OSRAM
- Beam Angle: 8°
- Waterproof Grade: IP66
- CTT: 3000K
- Power: 8W
- Voltage: AC24V
- Lifetime: ≥50000小时
- Insulation class: Class II



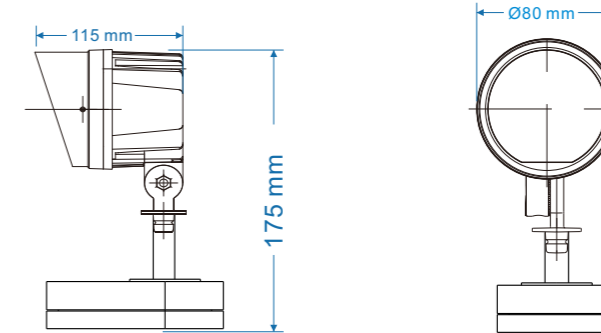
可选颜色:



## KS-TGD-24-20W

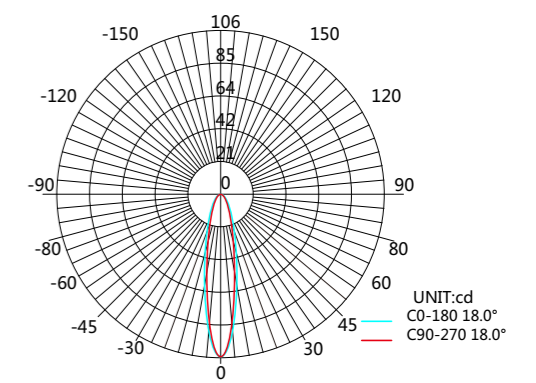


Size: Ø80x115x175mm



### Specification:

- Light size: Ø80mm x 115mm x 175mm
- Material: Aluminum + Glass
- Light source: SAMSUNG/CREE/EPISTAR/OSRAM
- Beam Angle: 18°
- Waterproof Grade: IP66
- CTT: 3000K
- Power: 20W
- Voltage: DC24V/AC220V
- Lifetime: ≥50000小时
- Insulation class: Class II



可选颜色:



LED Flood light

LED Flood light

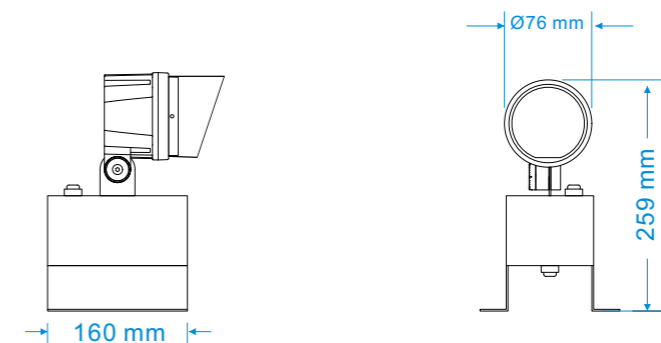
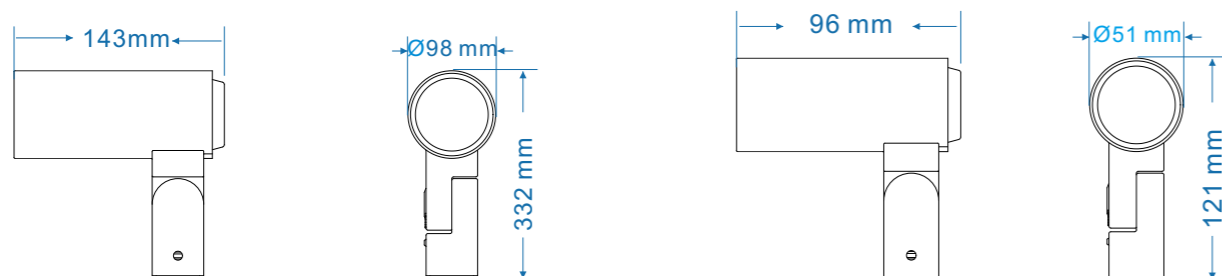
## KS-TGD-25-12W

## KS-TGD-26-5.5W



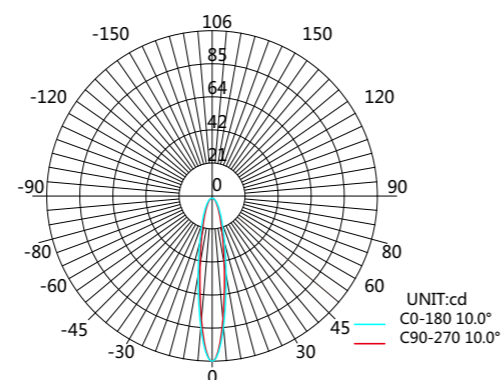
Size: Ø98mm x 143mm x 332mm/Ø51mm x 96mm x 121mm

Size: Ø76mm x 160mm x 259mm



### Specification:

- Light size: Ø98x143x332mm/Ø51x96x121mm
- Material: Aluminum + Glass
- Light source: SAMSUNG/CREE/EPISTAR/OSRAM
- Beam Angle: 5-25°
- Waterproof Grade: IP66
- CTT: 2200K/3000K/4000K/5000K/6000K/7000K
- Power: 2.7W/12W
- Voltage: DC24V/DC48V/AC24V
- Lifetime: ≥50000 小时
- Insulation class: Class II

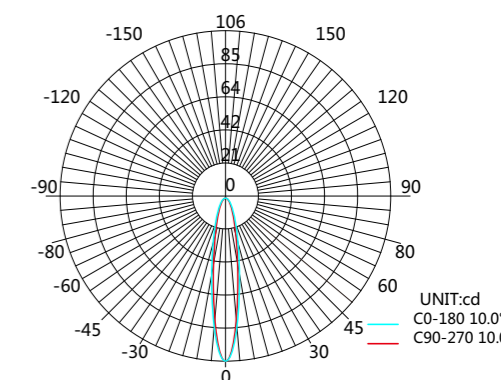


AVERAGE BEAM ANGLE(50%):10.0 DEG

可选颜色:

### Specification:

- Light size: Ø76mm x 160mm x 259mm
- Material: Aluminum + Glass
- Light source: SAMSUNG/CREE/EPISTAR/OSRAM
- Beam Angle: 10°
- Waterproof Grade: IP65
- CTT: 2200K/3000K/4000K/5000K/6000K/7000K
- Power: 5.5W
- Voltage: DC24V/AC220V
- Lifetime: ≥50000 小时
- Insulation class: Class II

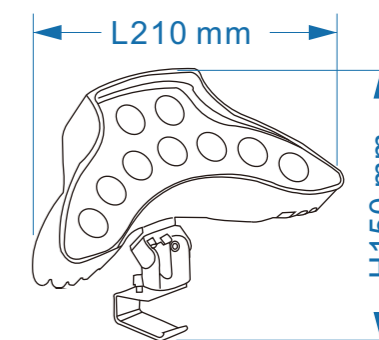


AVERAGE BEAM ANGLE(50%):10.0 DEG

可选颜色:



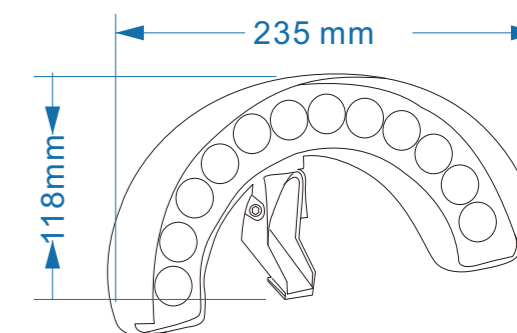
LED Tree holding lamp Series



KS-BSD-01-9W

Specification

Product name:9W tile lamp  
 Power:9x1W/12x1W  
 Size:L210mmxH150mm  
 Aluminum Substrate Size:71mm  
 Product material:Precision Die Casting of Aluminum and Toughened Glass  
 Place of application:Brightening of buildings, bridges, hotels and shopping malls  
 Protection level:IP65



KS-BSD-02-12W

Specification

Product name:12W tile lamp  
 Power:12x1W  
 Size:L235mmxH118mm  
 Aluminum Substrate Size:43mm  
 Product material:Precision Die Casting of Aluminum and Toughened Glass  
 Place of application:Brightening of buildings, bridges, hotels and shopping malls  
 Protection level:IP65

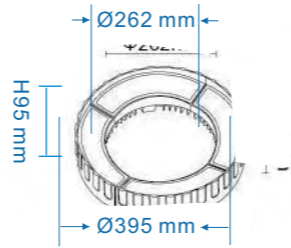




## KS-BSD-03

### Specification

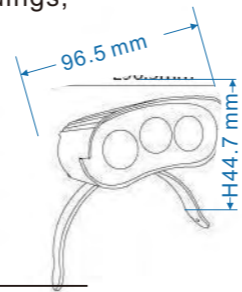
Product name:72 tile lamp  
 Power:18x1W/18x2W  
 Size:Ø395xØ262xH95mm  
 Product material:Precision Die Casting of Aluminum and Toughened Glass  
 Place of application:Brightening of buildings, bridges, hotels and shopping malls  
 Protection level:IP65



## KS-BSD-04

### Specification

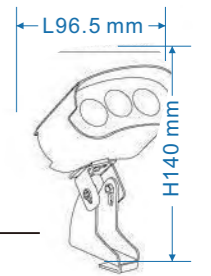
Product name:6W tile lamp  
 Power:3x1W/3x2W/3x3W  
 Size:L96.5mmxH44.7mm  
 Product material:Precision Die Casting of Aluminum and Toughened Glass  
 Place of application:Brightening of buildings, bridges, hotels and shopping malls  
 Protection level:IP65



## KS-BSD-05

### Specification

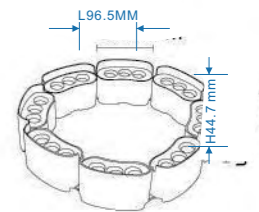
Product name:6W tile lamp  
 Power:3x1W/3x2W/3x3W  
 Size:L96.5mmxH44.7mm  
 Aluminum Substrate Size:30mm  
 Product material:Precision Die Casting of Aluminum and Toughened Glass  
 Place of application:Brightening of buildings, bridges, hotels and shopping malls  
 Protection level:IP65



## KS-BSD-06

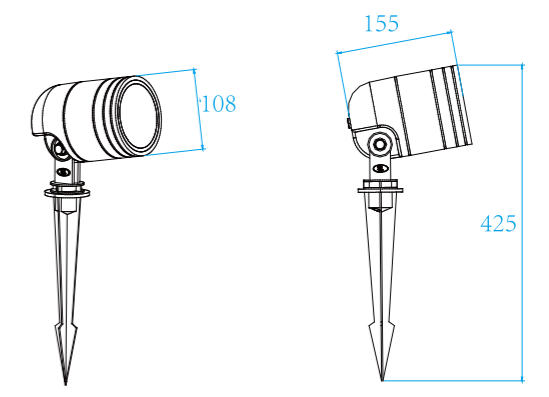
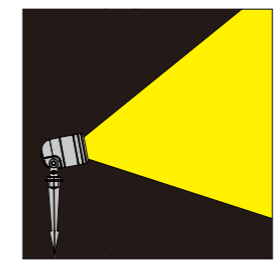
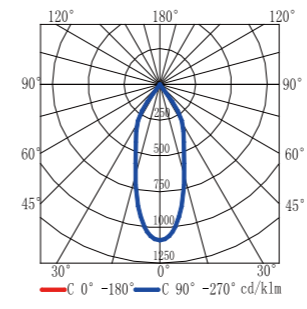
### Specification

Product name:6W tile lamp  
 Power:3x1W/3x2W/3x3W  
 Size:L96.5mmxH44.7mm  
 Aluminum Substrate Size:45mm  
 Product material:Precision Die Casting of Aluminum and Toughened Glass  
 Place of application:Brightening of buildings, bridges, hotels and shopping malls  
 Protection level:IP65

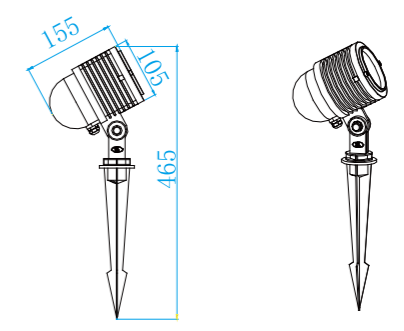
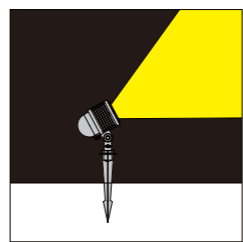
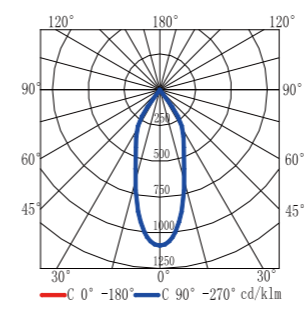




- KS-CDD-01-8W**
- ◆ Size: Ø108mm x 155mm x 425mm
  - ◆ Chip: COB
  - ◆ Beam angle: 60°
  - ◆ CCT: 2700K-6500K
  - ◆ Power: 8W
  - ◆ Voltage: AC220V
  - ◆ Lifetime: 50,000hour
  - ◆ Waterproof Grade: IP65

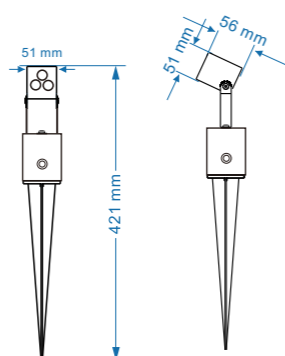
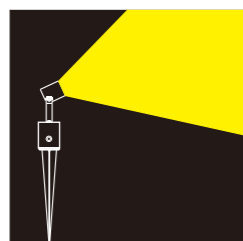
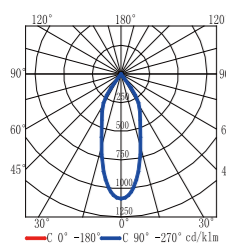


- KS-CDD-02-8W**
- ◆ Size: Ø105mm x 155mm x 465mm
  - ◆ Chip: COB
  - ◆ Beam angle: 60°
  - ◆ CCT: 2700K-6500K
  - ◆ Power: 8W
  - ◆ Voltage: AC220V
  - ◆ Lifetime: 50,000hour
  - ◆ Waterproof Grade: IP65

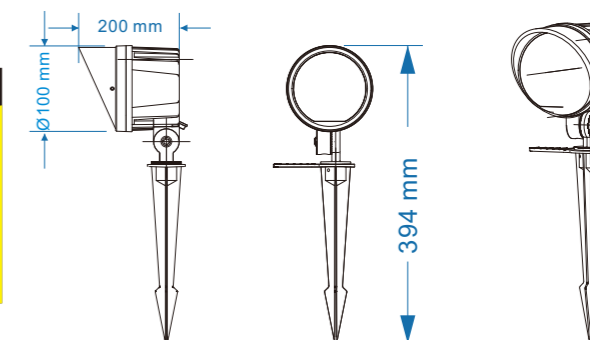
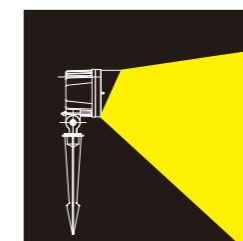
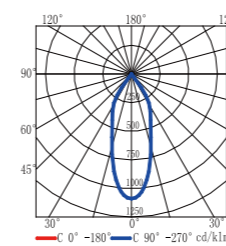




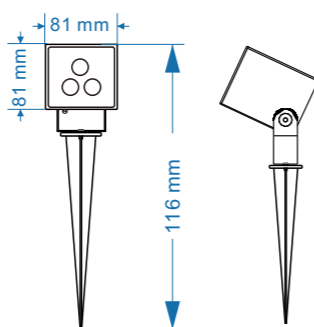
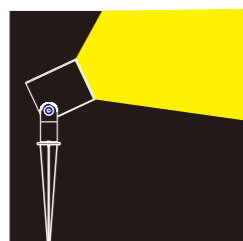
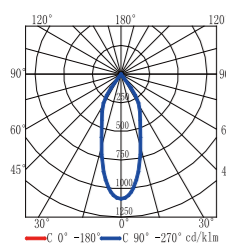
- KS-CDD-03-4.7W**
- ◆ Size: Ø51mm x 56mm x 421mm
  - ◆ Chip: SAMSUNG/CREE/EPISTAR/OSRAM
  - ◆ Beam angle: 26°
  - ◆ CCT: 3000K
  - ◆ Power: 4.7W
  - ◆ Voltage: AC220V
  - ◆ Lifetime: 50,000hour
  - ◆ Waterproof Grade: IP67



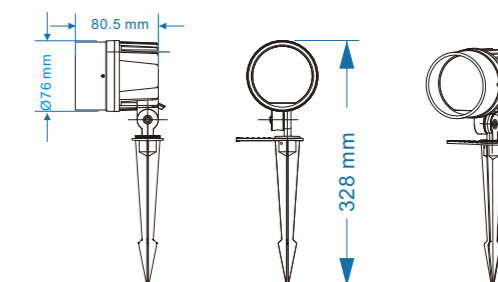
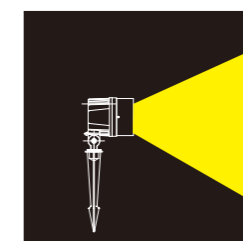
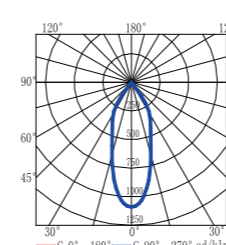
- KS-CDD-05-11W**
- ◆ Size: Ø100mm x 200mm x 394mm
  - ◆ Chip: CREE
  - ◆ Beam angle: 60°
  - ◆ CCT: 2700K-6500K
  - ◆ Power: 11W
  - ◆ Voltage: AC220V
  - ◆ Lifetime: 50,000hour
  - ◆ Waterproof Grade: IP65



- KS-CDD-04-5W**
- ◆ Size: Ø81mm x 81mm x 116mm
  - ◆ Chip: SAMSUNG/CREE/EPISTAR/OSRAM
  - ◆ Beam angle: 26°
  - ◆ CCT: 3000K
  - ◆ Power: 5W
  - ◆ Voltage: AC220V
  - ◆ Lifetime: 50,000hour
  - ◆ Waterproof Grade: IP65



- KS-CDD-06-5.5W**
- ◆ Size: Ø76mm x 80.5mm x 328mm
  - ◆ Chip: CREE
  - ◆ Beam angle: 10-15°
  - ◆ CCT: 2700K-6500K
  - ◆ Power: 5.5W
  - ◆ Voltage: AC220V
  - ◆ Lifetime: 50,000hour
  - ◆ Waterproof Grade: IP65



## LED corrugated lamp

**Features**

The lamp is compact in structure, sealed and waterproof, has good heat dissipation performance, and the beam is concentrated without string light pollution. The light source USES ultra-high brightness LED; The shell is made of imported PVC material or high quality aluminum alloy and is sealed with epoxy resin. The service life is up to 80,000 to 100,000 hours.

**Application**

It is widely used in the corrugated lighting of glazed tiles in Chinese and western ancient buildings, the eaves of scenic spots, building facades, squares, leisure sports fields, stages, billboards, duan shan, Bridges, rooftops, tall buildings, villas and small communities, and the landscape lights in parks.



LED corrugated lamp

LED corrugated lamp



**KS-WLD-01-6W**

Material:Aluminum  
LED single power:1W  
Waterproof Grade:IP65  
Ambient temperature:-20°C ~ +45°C  
With the light:Professional optical lens  
Lifetime:50000H  
LED Body color:

Safety class:Class 1 AC220V/Class 3 DC24V



**KS-WLD-02-4W**

Material:Aluminum  
LED single power:1W  
Waterproof Grade:IP65  
Ambient temperature:-20°C ~ +45°C  
With the light:Professional optical lens  
Lifetime:50000H  
LED Body color:

Safety class:Class 1 AC220V/Class 3 DC24V



**KS-WLD-05-6W**

Material:Aluminum  
LED single power:1W  
Waterproof Grade:IP65  
Ambient temperature:-20°C ~ +45°C  
With the light:Professional optical lens  
Lifetime:50000H  
LED Body color:

Safety class:Class 1 AC220V/Class 3 DC24V



**KS-WLD-06-3W**

Material:Aluminum  
LED single power:1W  
Waterproof Grade:IP65  
Ambient temperature:-20°C ~ +45°C  
With the light:Professional optical lens  
Lifetime:50000H  
LED Body color:

Safety class:Class 1 AC220V/Class 3 DC24V

**KS-WLD-03-3W**

Material:Aluminum  
LED single power:1W  
Waterproof Grade:IP65  
Ambient temperature:-20°C ~ +45°C  
With the light:Professional optical lens  
Lifetime:50000H  
LED Body color:

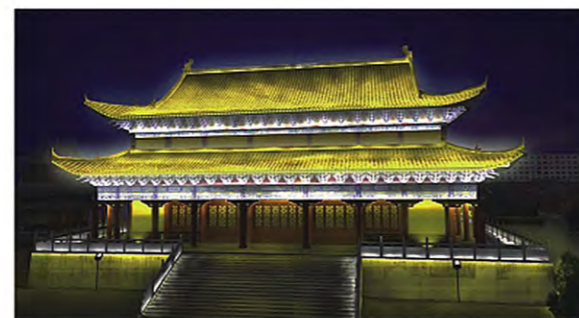
Safety class:Class 1 AC220V/Class 3 DC24V



**KS-WLD-04-6W**

Material:Aluminum  
LED single power:1W  
Waterproof Grade:IP65  
Ambient temperature:-20°C ~ +45°C  
With the light:Professional optical lens  
Lifetime:50000H  
LED Body color:

Safety class:Class 1 AC220V/Class 3 DC24V



**Application**

It is widely used in the corrugated lighting of glazed tiles in Chinese and western ancient buildings, the eaves of scenic spots, building facades, squares, leisure sports fields, stages, billboards, duan shan, Bridges, rooftops, tall buildings, villas and small communities, and the landscape lights in parks.



**KS-WLD-08-3W**

Material:Aluminum  
LED single power:3W  
Waterproof Grade:IP65  
Ambient temperature:-20°C ~ +45°C  
With the light:Professional optical lens  
Lifetime:50000H  
LED Body color:

Safety class:Class 1 AC220V/Class 3 DC24V



**KS-WLD-07-5W**

Material:Aluminum  
LED single power:1W  
Waterproof Grade:IP65  
Ambient temperature:-20°C ~ +45°C  
With the light:Professional optical lens  
Lifetime:50000H  
LED Body color:

Safety class:Class 1 AC220V/Class 3 DC24V



**Product characteristics**

The lamp has compact structure, waterproof sealing, good heat dissipation performance and no chord light pollution.Ultra-high brightness LED is used as light source.The shell is made of imported PVC material or high quality aluminium alloy and sealed with epoxy resin.The service life can reach 8-100,000 hours.

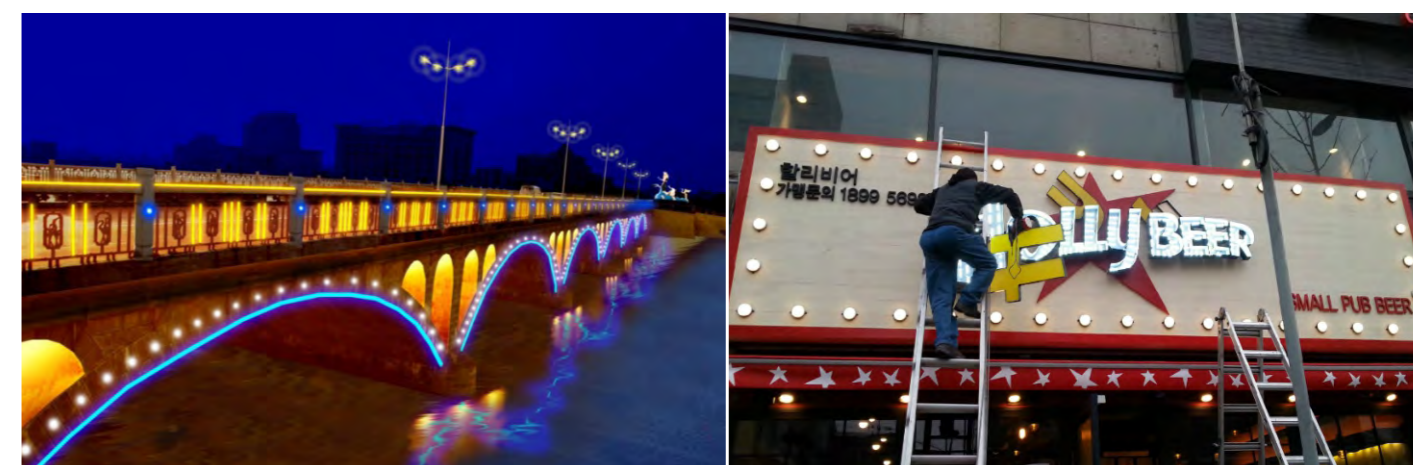
## LED Point light Series



LED point light source is a new type of energy-saving and environmental protection decorative light, using LED cold light source luminescence, built-in microcomputer chip, can be arbitrary programming control, multiple synchronous change, monochrome change can also achieve synchronous color gradient, jump, scanning, full color change effect of water lamp and multiple LED point light source composition lattice screen. Can be changed to a variety of pictures, text and animation effects, is a linear light source and floodlight lighting a supplement, beautiful appearance can meet the building and other decorative point line surface design requirements. LED point light source USES aluminum base, heat dissipation, excellent waterproof performance, easy installation, simple control, low voltage power supply, safe and reliable, noble appearance, is the building, bridge outline, hotel, billboards, curtain wall and night lighting ideal decoration.

### Application

LED point light source can be used not only for dot matrix display screen, but also for the outline of buildings such as houses, Bridges and hotels in the city lighting project. Hotel and other entertainment places interior decoration lighting project, has a great market prospect.



## KS-DGY-01-9W

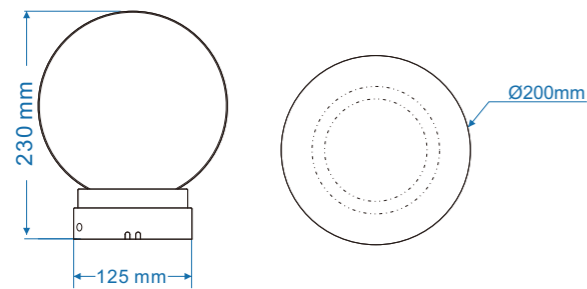


**Material:**  
 ◆ Aluminium  
 ◆ PC lampshade  
 ◆ Stainless steel screw

**Parameter:**

◆ Size: Ø200mmx125x230mm  
 ◆ LED Chip: CREE/OSRAW/LUMILEDS/NHIA  
 ◆ Beam angle: 120°  
 ◆ CCT: RGBW  
 ◆ Power: 9W  
 ◆ Voltage: DC24V  
 ◆ Life time: 50,000hour  
 ◆ IP Rating: IP68

**Optional color**



## KS-DGY-02-9W

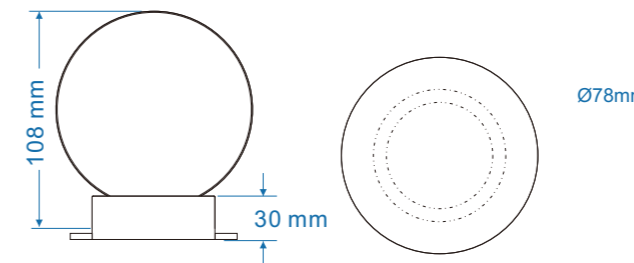


**Material:**  
 ◆ Aluminium  
 ◆ PC lampshade  
 ◆ Stainless steel screw

**Parameter:**

◆ Size: Ø78mmx108mm  
 ◆ LED Chip: CREE/OSRAW/LUMILEDS/NHIA  
 ◆ Beam angle: 120°  
 ◆ CCT: 3000K-6000K  
 ◆ Power: 9W  
 ◆ Voltage: DC24V  
 ◆ Life time: 50,000hour  
 ◆ IP Rating: IP68

**Optional color**



## KS-DGY-03-3.5W

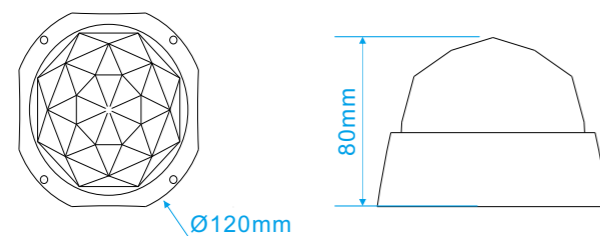


**Material:**  
 ◆ Aluminium  
 ◆ PC lampshade  
 ◆ Stainless steel screw

**Parameter:**

◆ Size: Ø210mmx80mm  
 ◆ LED Chip: CREE/OSRAW/LUMILEDS/NHIA  
 ◆ Beam angle: 120°  
 ◆ CCT: R/G/B/W/RGBW  
 ◆ Power: 3.5W  
 ◆ Voltage: DC24V/AC24V  
 ◆ Life time: 50,000hour  
 ◆ IP Rating: IP65

**Optional color**



## KS-DGY-04-12W

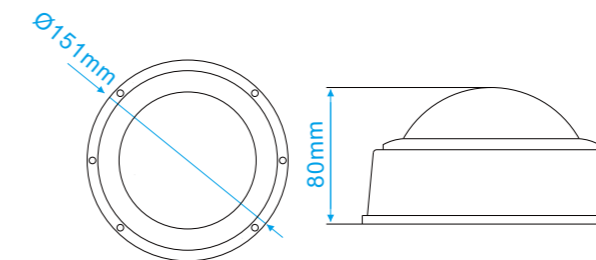


**Material:**  
 ◆ Aluminium  
 ◆ PC lampshade  
 ◆ Stainless steel screw

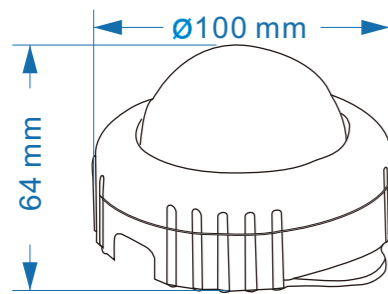
**Parameter:**

◆ Size: Ø151mmx80mm  
 ◆ LED Chip: CREE/OSRAW/LUMILEDS/NHIA  
 ◆ Beam angle: 120°  
 ◆ CCT: R/G/B/W/RGB  
 ◆ Power: 12W  
 ◆ Voltage: AC24V  
 ◆ Life time: 50,000hour  
 ◆ IP Rating: IP65

**Optional color**



## KS-DGY-05-0.6W

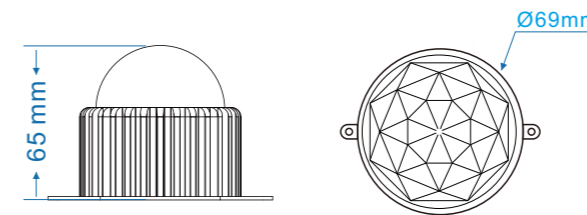
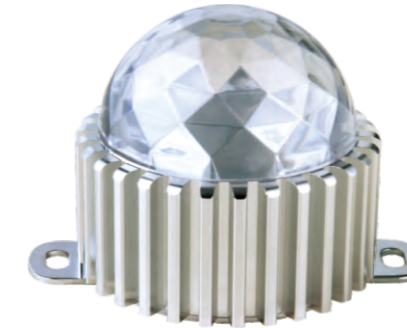


**Material:**  
 ◆ Aluminium  
 ◆ PC lampshade  
 ◆ Stainless steel screw

**Parameter:**  
 ◆ Size: Ø100mmx64mm  
 ◆ LED Chip: CREE/OSRAW/LUMILEDS/NHIA  
 ◆ Beam angle: 120°  
 ◆ CCT: 2700K-6000K/RGB  
 ◆ Power: 5W  
 ◆ Voltage: AC220V/DC24V  
 ◆ Life time: 50,000hour  
 ◆ IP Rating: IP65

**Optional color**  
 ● ● ● ● ● ● ● ●

## KS-DGY-06-21W

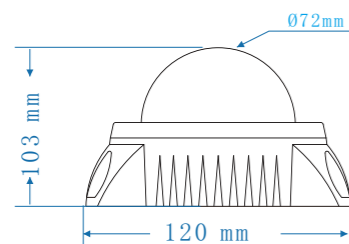


**Material:**  
 ◆ Aluminium  
 ◆ PC lampshade  
 ◆ Stainless steel screw

**Parameter:**  
 ◆ Size: Ø69mmx65mm  
 ◆ LED Chip: CREE/OSRAW/LUMILEDS/NHIA  
 ◆ Beam angle: 120°  
 ◆ CCT: 2700K-6000K  
 ◆ Power: 21W  
 ◆ Voltage: AC220V/DC24V  
 ◆ Life time: 50,000hour  
 ◆ IP Rating: IP65

**Optional color**  
 ● ● ● ● ● ● ● ●

## KS-DGY-07-5W

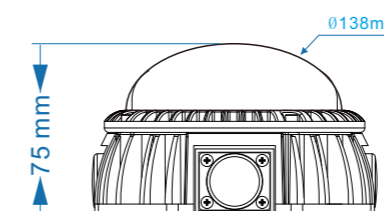


**Material:**  
 ◆ Aluminium  
 ◆ PC lampshade  
 ◆ Stainless steel screw

**Parameter:**  
 ◆ Size: Ø72mmx103mmx120mm  
 ◆ LED Chip: CREE/OSRAW/LUMILEDS/NHIA  
 ◆ Beam angle: 110°  
 ◆ CCT: 2700K-6000K/RGB  
 ◆ Power: 5x1W  
 ◆ Voltage: AC220V/DC24V  
 ◆ Life time: 50,000hour  
 ◆ IP Rating: IP65

**Optional color**  
 ● ● ● ● ● ● ● ●

## KS-DGY-08-7W



**Material:**  
 ◆ Aluminium  
 ◆ PC lampshade  
 ◆ Stainless steel screw

**Parameter:**  
 ◆ Size: Ø138mmx75mm  
 ◆ LED Chip: CREE/OSRAW/LUMILEDS/NHIA  
 ◆ Beam angle: 120°  
 ◆ CCT: 2700K-6000K/RGB  
 ◆ Power: 5x1W  
 ◆ Voltage: AC220V/DC24V  
 ◆ Life time: 50,000hour  
 ◆ IP Rating: IP65

**Optional color**  
 ● ● ● ● ● ● ● ●

LED Wall Light Series

LED Wall Light Series

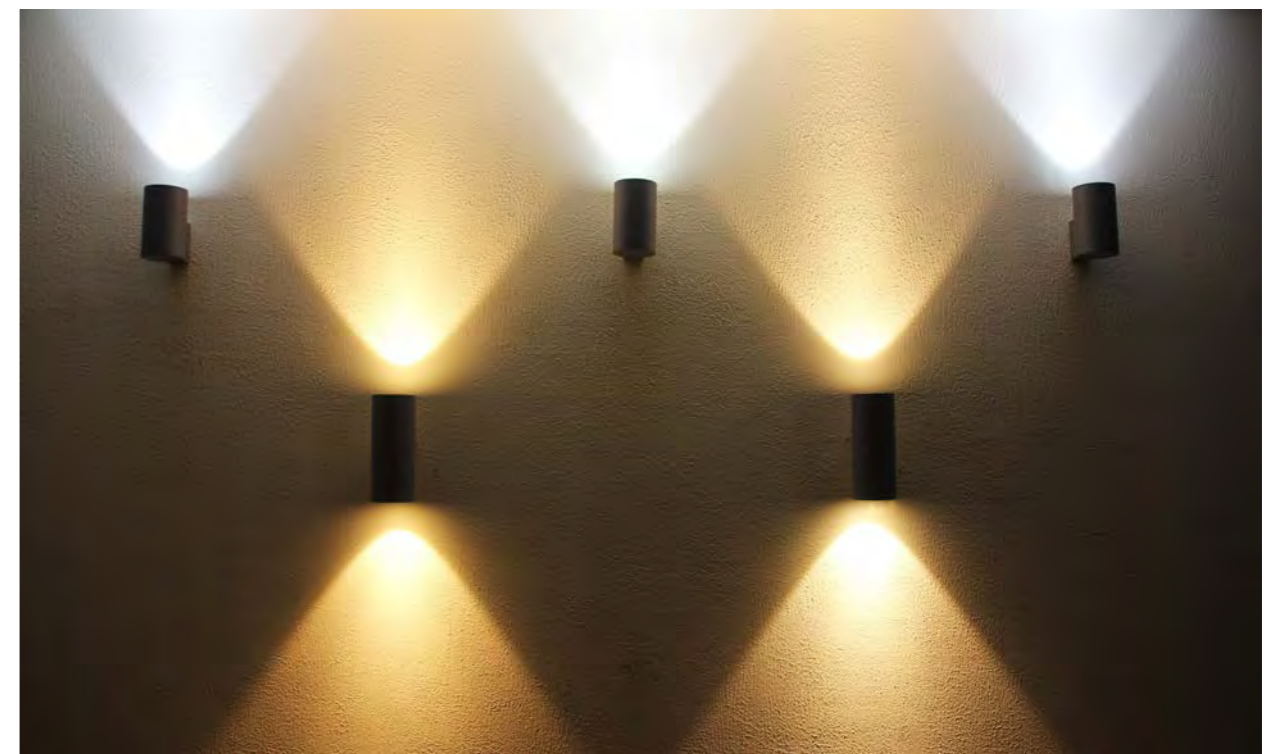


Product Features:

High efficiency, environmental protection, energy saving, no radiation, no glare, no ultraviolet and infrared radiation on the irradiated objects.

Application:

Hotel, Supermarket, Shop, Meeting room, Office, Showroom, Restaurant and so on





### KS-BD-01-15W

◆ Size:  $\varnothing 108\text{mm} \times 130\text{mm}$

◆ LED Chip: CREE/PHILIPS/LUMILEDS

◆ Beam angle:  $30^\circ$

◆ CCT: 3000K-6000K

◆ Power: 1\*5W/1\*7W/1\*10W/1\*15W

◆ Voltage: AC220V

◆ Life time: 50,000hour

◆ IP Rating: IP44

◆ Size:  $\varnothing 150\text{mm} \times 240\text{mm}$

◆ LED Chip: CREE/PHILIPS/LUMILEDS

◆ Beam angle:  $30^\circ$

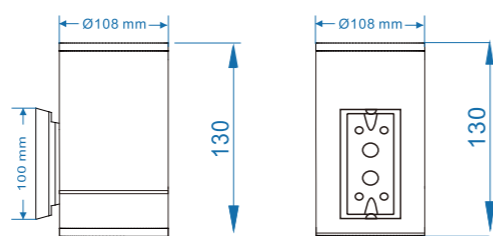
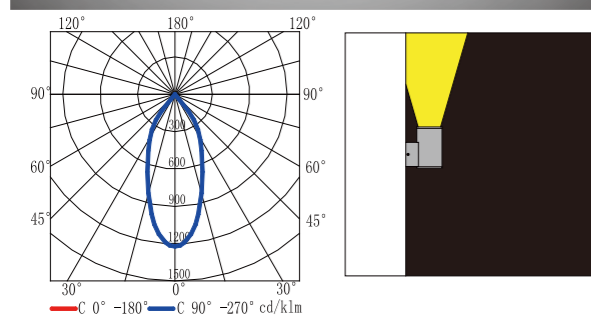
◆ CCT: 3000K-6000K

◆ Power: 11W/20W/48W

◆ Voltage: AC220V

◆ Life time: 50,000hour

◆ IP Rating: IP67



### KS-BD-03-48W

◆ Size:  $\varnothing 150\text{mm} \times 240\text{mm}$

◆ LED Chip: CREE/PHILIPS/LUMILEDS

◆ Beam angle:  $30^\circ$

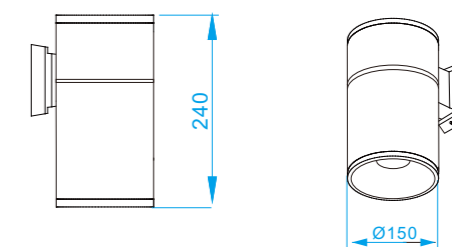
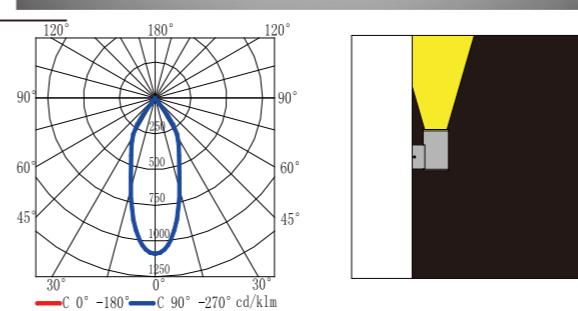
◆ CCT: 3000K-6000K

◆ Power: 11W/20W/48W

◆ Voltage: AC220V

◆ Life time: 50,000hour

◆ IP Rating: IP67



### KS-BD-02-2\*15W

◆ Size:  $\varnothing 90\text{mm} \times 125\text{mm} \times 225\text{mm}$

◆ LED Chip: CREE/PHILIPS/LUMILEDS

◆ Beam angle:  $30^\circ$

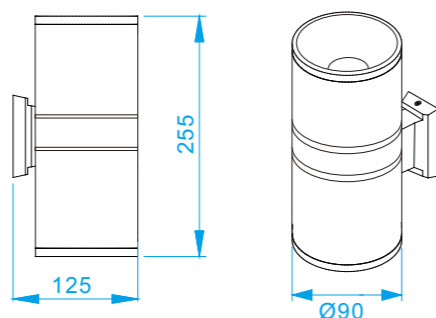
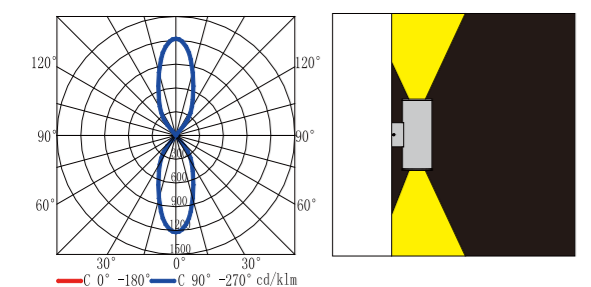
◆ CCT: 3000K-6000K

◆ Power: 2\*5W/2\*7W/2\*10W/2\*15W

◆ Voltage: AC220V

◆ Life time: 50,000hour

◆ IP Rating: IP44





### KS-BD-04-8W

- ◆ Size: Ø90mmx113mm

---

- ◆ LED Chip: CREE/PHILIPS/LUMILEDS

---

- ◆ Beam angle: 30°

---

- ◆ CCT: 3000K

---

- ◆ Power: 1x8W

---

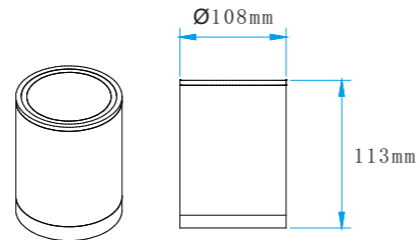
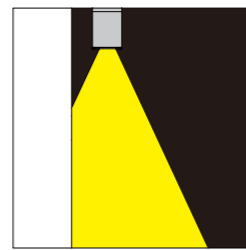
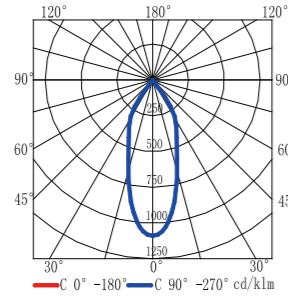
- ◆ Voltage: AC220V

---

- ◆ Life time: 50,000hour

---

- ◆ IP Rating: IP44



### KS-BD-05-8W

- ◆ Size: 245mmx265mm

---

- ◆ LED Chip: E27

---

- ◆ Beam angle: 120°

---

- ◆ CCT: 2200K-6500K

---

- ◆ Power: 8W/13W

---

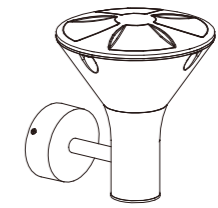
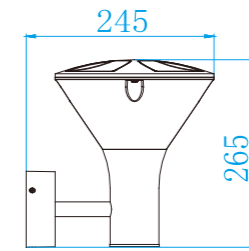
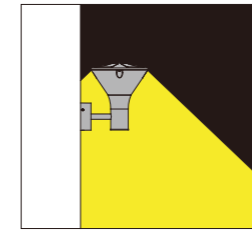
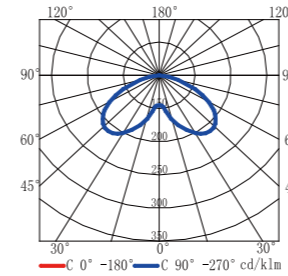
- ◆ Voltage: AC220V

---

- ◆ Life time: 50,000hour

---

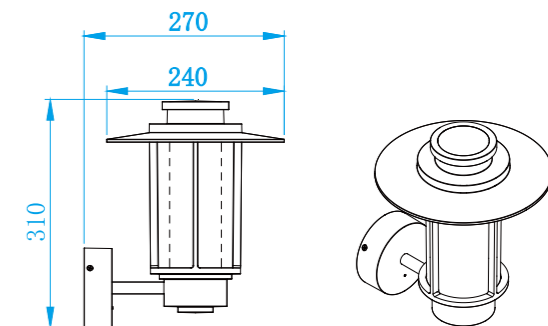
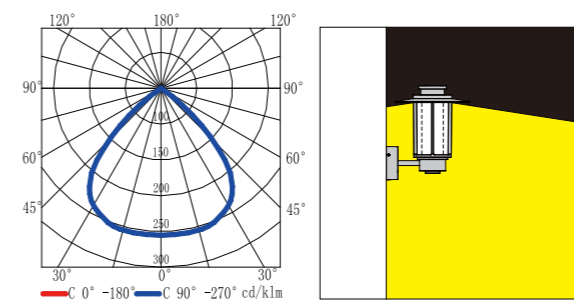
- ◆ IP Rating: IP54





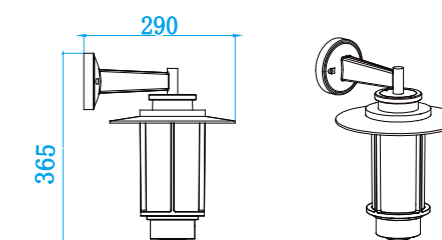
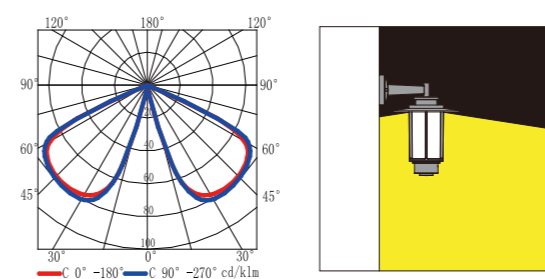
### KS-BD-06-18W

- ◆ Size : Ø240mmx270mmx310mm
- ◆ LED Chip : E27
- ◆ Beam angle : 120°
- ◆ CCT : 2700K-6500K
- ◆ Power : 18W
- ◆ Voltage : AC220V
- ◆ Life time : 50,000hour
- ◆ IP Rating : IP54



### KS-BD-07-18W

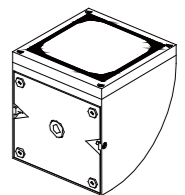
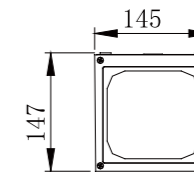
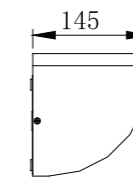
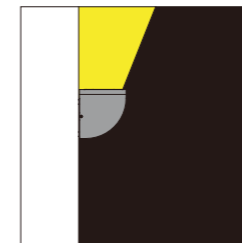
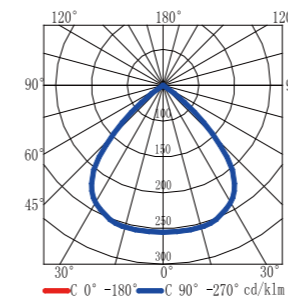
- ◆ Size : Ø240mmx270mmx310mm
- ◆ LED Chip : E27
- ◆ Beam angle : 120°
- ◆ CCT : 2700K-6500K
- ◆ Power : 6W/18W
- ◆ Voltage : AC220V
- ◆ Life time : 50,000hour
- ◆ IP Rating : IP54





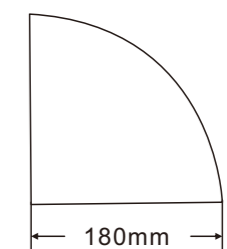
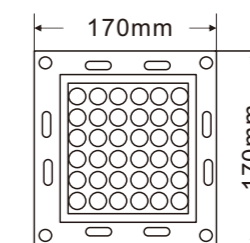
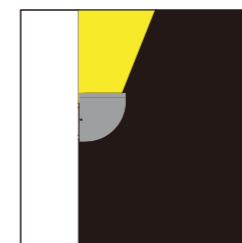
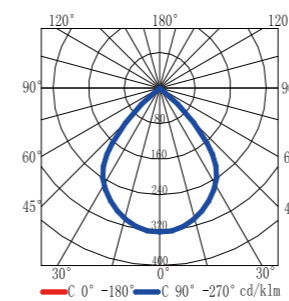
### KS-BD-08-10W

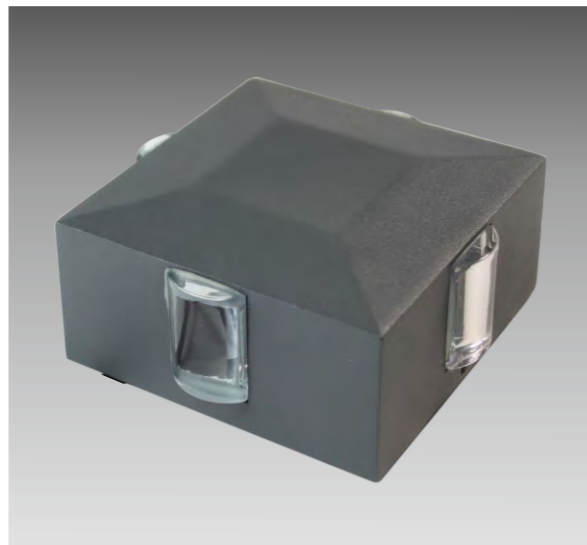
- ◆ Size: 145mmx145mmx147mm
- ◆ LED Chip: CREE/SAMSUNG/EPISTAR/PHILIPS
- ◆ Beam angle: 30°
- ◆ CCT: 3000K
- ◆ Power: 1x10W
- ◆ Voltage: AC220V
- ◆ Life time: 50,000hour
- ◆ IP Rating: IP54



### KS-BD-09-30W

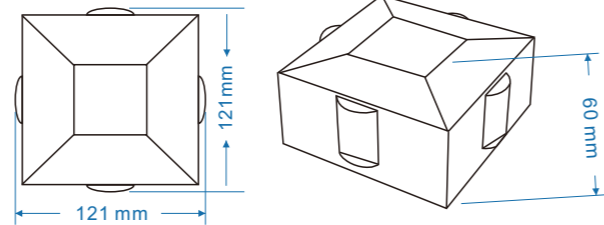
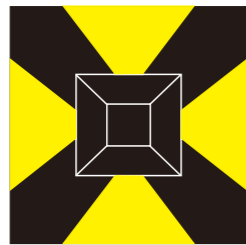
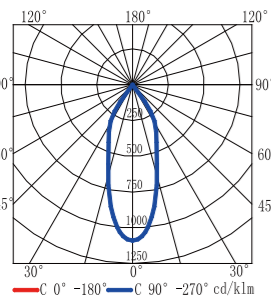
- ◆ Size: 170mmx170mmx180mm
- ◆ LED Chip: CREE/SAMSUNG/EPISTAR/PHILIPS
- ◆ Beam angle: 23°
- ◆ CCT: 2200K
- ◆ Power: 30W
- ◆ Voltage: AC220V
- ◆ Life time: 50,000hour
- ◆ IP Rating: IP65





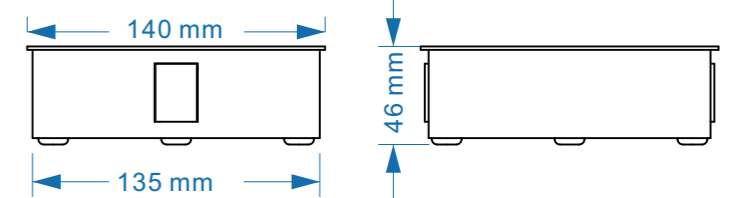
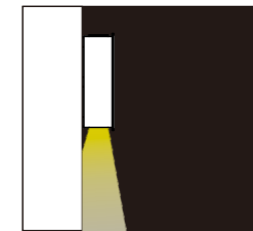
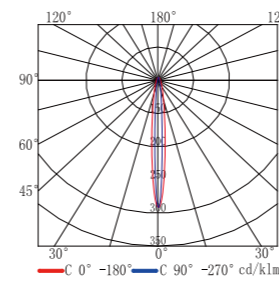
### KS-BD-10-4W

- ◆ Size: 121mmx121mmx60mm
- ◆ LED Chip: CREE/SAMSUNG/EPISTAR/PHILIPS
- ◆ Beam angle: 30°
- ◆ CCT: 3000K
- ◆ Power: 1x4W
- ◆ Voltage: AC220V
- ◆ Life time: 50,000hour
- ◆ IP Rating: IP44



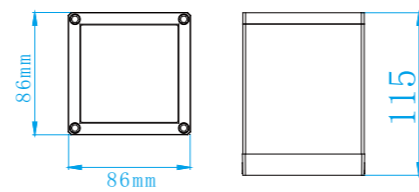
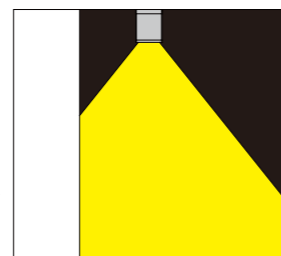
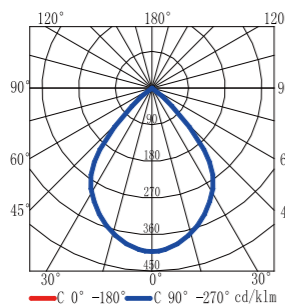
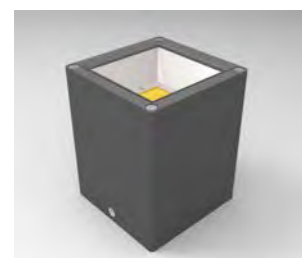
### KS-BD-12-8W

- ◆ Size: 140mmx140mmx46mm
- ◆ LED Chip: CREE/SAMSUNG/EPISTAR/PHILIPS
- ◆ Beam angle: 6°
- ◆ CCT: 2200K-6500K
- ◆ Power: 18.2W
- ◆ Voltage: DC24V
- ◆ Life time: 50,000hour
- ◆ IP Rating: IP65



### KS-BD-11-5W

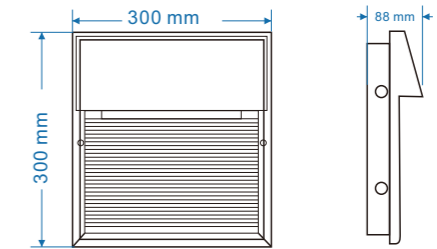
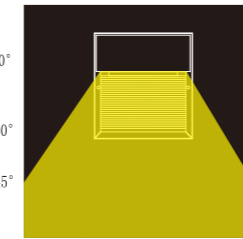
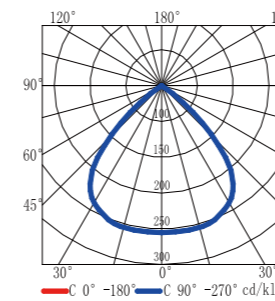
- ◆ Size: 86mmx86mmx113mm
- ◆ LED Chip: CREE/PHILIPS/LUMILEDS
- ◆ Beam angle: 30°
- ◆ CCT: 3000K
- ◆ Power: 1x5W
- ◆ Voltage: AC220V
- ◆ Life time: 50,000hour
- ◆ IP Rating: IP44





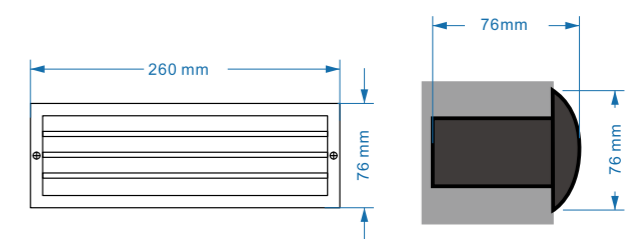
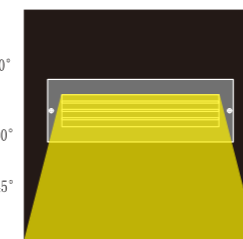
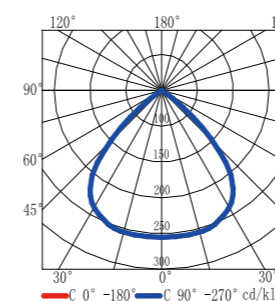
### KS-BD-13-26W

- ◆ Size: 300mmx300mmx88mm
- ◆ LED Chip: CREE/SAMSUNG/EPISTAR/PHILIPS
- ◆ Beam angle: 30°
- ◆ CCT: 2700K
- ◆ Power: 26W
- ◆ Voltage: AC220V
- ◆ Life time: 50,000hour
- ◆ IP Rating: IP65



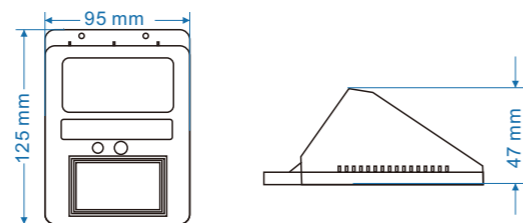
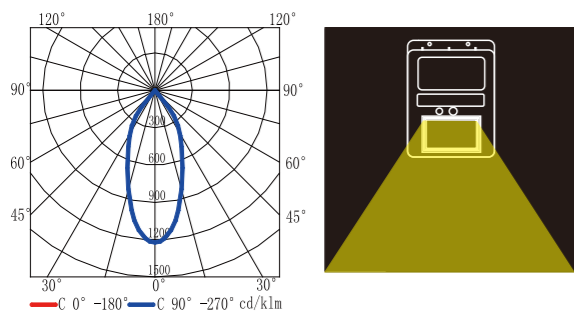
### KS-BD-14-6.9W

- ◆ Size: 260mmx76mmx76mm
- ◆ LED Chip: CREE/SAMSUNG/EPISTAR/PHILIPS
- ◆ Beam angle: 35°
- ◆ CCT: 3000K
- ◆ Power: 6.9W
- ◆ Voltage: AC220V
- ◆ Life time: 50,000hour
- ◆ IP Rating: IP66

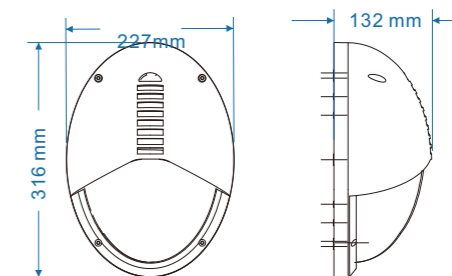
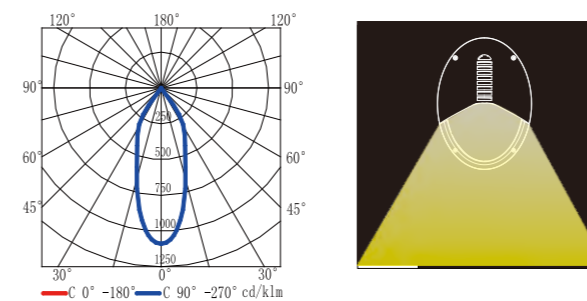




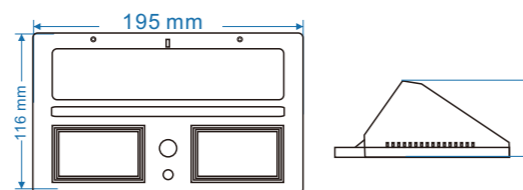
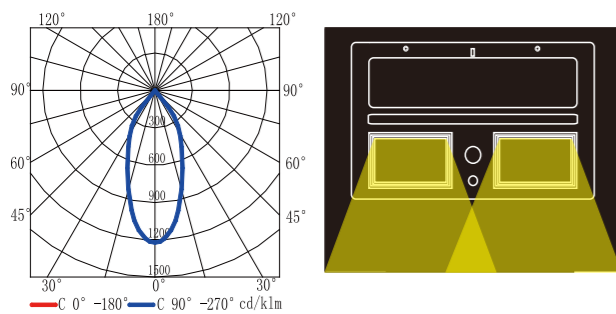
- KS-BD-15-2W**
- ◆ Size: 125mmx95mmx47mm
  - ◆ LED Chip: CREE/PHILIPS/LUMILEDS
  - ◆ Beam angle: 30°
  - ◆ CCT: 3000K/6500K
  - ◆ Power: 2W
  - ◆ Voltage: Solar
  - ◆ Life time: 50,000hour
  - ◆ IP Rating: IP54



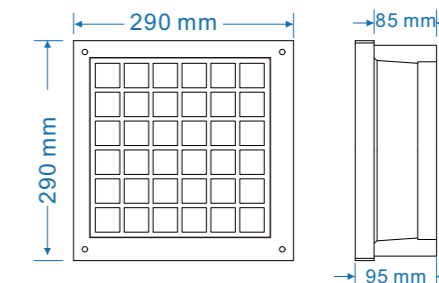
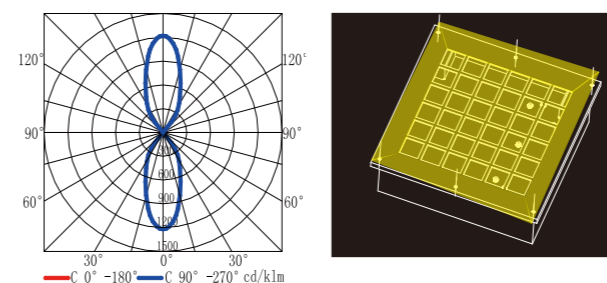
- KS-BD-17-6W**
- ◆ Size: 316mmx227mmx132mm
  - ◆ LED Chip: CREE/SAMSUNG/EPSTAR/PHILIPS
  - ◆ Beam angle: 120°
  - ◆ CCT: 2200K-7000K
  - ◆ Power: 6W
  - ◆ Voltage: AC220V
  - ◆ Life time: 50,000hour
  - ◆ IP Rating: IP54



- KS-BD-16-4W**
- ◆ Size: 195mmx116mmx47mm
  - ◆ LED Chip: CREE/PHILIPS/LUMILEDS
  - ◆ Beam angle: 30°
  - ◆ CCT: 3000K/6500K
  - ◆ Power: 4W
  - ◆ Voltage: Solar
  - ◆ Life time: 50,000hour
  - ◆ IP Rating: IP54



- KS-BD-18-10W**
- ◆ Size: 290mmx290mmx85mm
  - ◆ LED Chip: CREE/SAMSUNG/EPSTAR/PHILIPS
  - ◆ Beam angle: 120°
  - ◆ CCT: 2200K-7000K
  - ◆ Power: 10W
  - ◆ Voltage: AC220V
  - ◆ Life time: 50,000hour
  - ◆ IP Rating: IP64



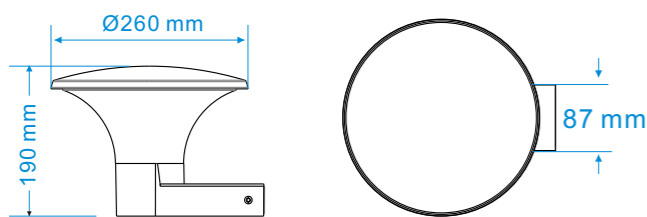
## LED Lawn Light Series



## Brief introduction

When light is used to indicate pedestrian paths and illuminate potential obstacles, the luminaires must be durable and appealing. Whether our range is used to illuminate public spaces, residential gardens, paths or driveways - you will find the correct light distribution for every requirement. The range includes a wide range of lighting solutions for residential spaces such as driveways and gardens.

## KS-CPD-01-12W



### Product parameters

◆ Size : Ø260mm x 190mm

◆ LED Chip : E27

◆ Beam angle : 120°

◆ CCT : 3000K-6000K

◆ Power : 12W

◆ Voltage : AC100V-260V

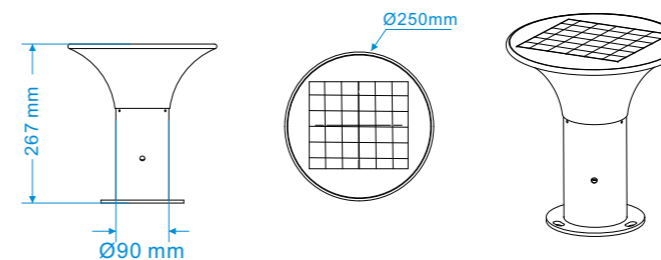
◆ Life time : 50,000hour

◆ IP Rating : IP65

Optional color:



## KS-SCPD-03-10W



### Product parameters

◆ Size : Ø250mm x 267mm

◆ LED Chip : CREE/PHILIPS/LUMILEDS

◆ Beam angle : 30°

◆ CCT : 2700K-6000K

◆ Power : 10W

◆ Battery capacity : 2200mA

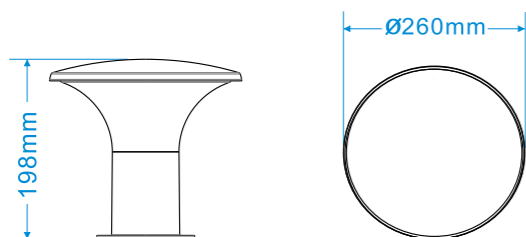
◆ Life time : 50,000hour

◆ IP Rating : IP65

Optional color:



## KS-CPD-02-12W



### Product parameters

◆ Size : Ø260mm x 198mm

◆ LED Chip : E27

◆ Beam angle : 120°

◆ CCT : 3000K-6000K

◆ Power : 12W

◆ Voltage : AC100V-260V

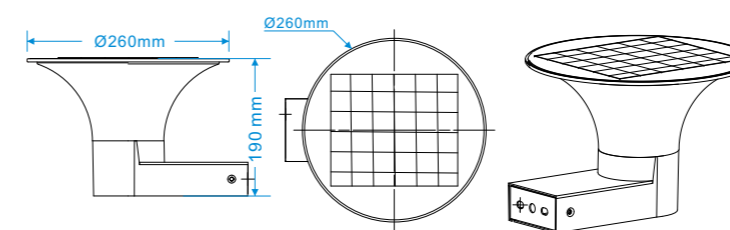
◆ Life time : 50,000hour

◆ IP Rating : IP65

Optional color:



## KS-SCPD-04-10W



### Product parameters

◆ Size : Ø260mm x 190mm

◆ LED Chip : CREE/PHILIPS/LUMILEDS

◆ Beam angle : 30°

◆ CCT : 2700K-6000K

◆ Power : 10W

◆ Battery capacity : 2200mA

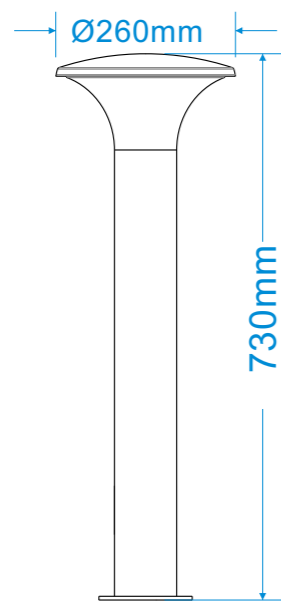
◆ Life time : 50,000hour

◆ IP Rating : IP65

Optional color:



## KS-CPD-05-12W



### 产品参数

◆尺寸: Ø260mm x 730mm

◆芯片: E27

◆发光角度: 120°

◆色温: 3000K-6000K

◆功率: 12W

◆电压: AC100V-AC260V

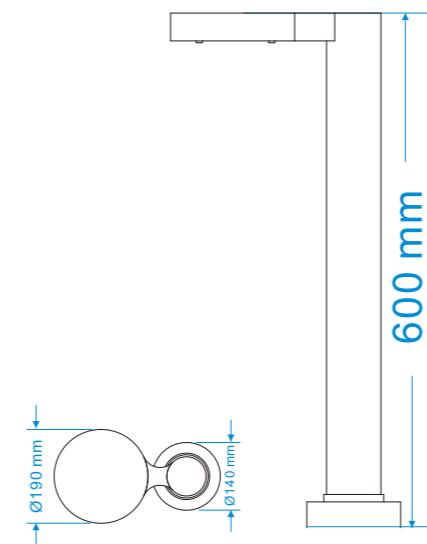
◆寿命: 50,000hour

◆防护等级: IP65

可选颜色:



## KS-CPD-07-10W



### Product parameters

◆ Size: Ø190mm x Ø140mm x H600mm

◆ LED Chip: E27/SAMSUNG/CREE/EPISTAR/OSRAM

◆ Beam angle: 120°

◆ CCT: 3000K-6000K

◆ Power: 10W

◆ Voltage: AC100V-260V

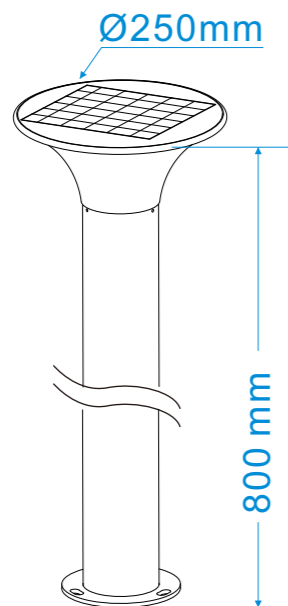
◆ Life time: 50,000hour

◆ IP Rating: IP65

Optional color:



## KS-CPD-06-3W



### 产品参数

◆尺寸: Ø250mm x 800mm

◆芯片: CREE/PHILIPS/LUMILEDS

◆发光角度: 120°

◆色温: 3000K-6000K

◆功率: 3W

◆电池容量: 2200mAh

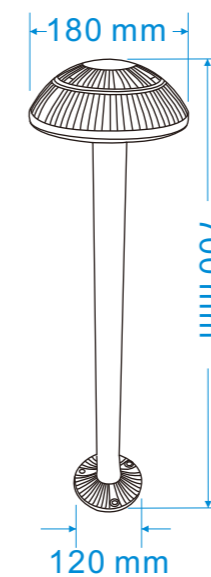
◆寿命: 50,000hour

◆防护等级: IP65

可选颜色:



## KS-CPD-08



### 产品参数

◆尺寸: 700mm x 180mm x 120mm

◆芯片: CREE/SAMSUNG/EPISTAR/PHILIPS

◆发光角度: 120°

◆色温: 3000K-6000K

◆功率: 12W/24W/36W/72W

◆电压: AC220V

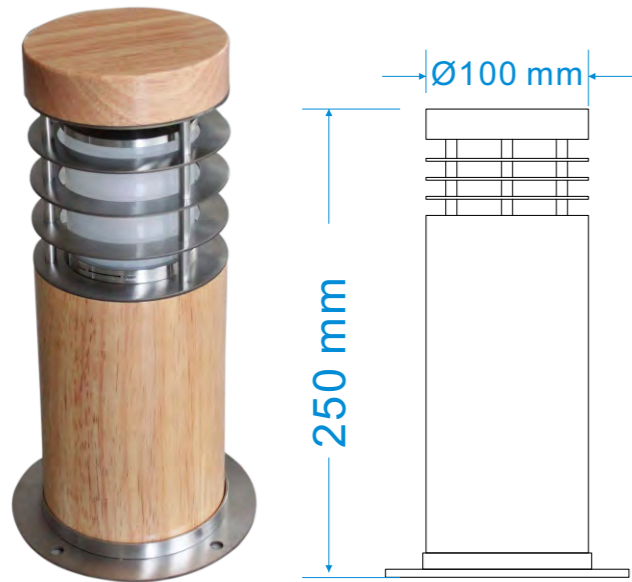
◆寿命: 50,000hour

◆防护等级: IP65

可选颜色:



## KS-CPD-09-10W



### Product parameters

- ◆ Size: Ø100mm x 250mm
- ◆ LED Chip: LUMILEDS
- ◆ Beam angle: 120°
- ◆ CCT: 3000K-6000K
- ◆ Power: 10W
- ◆ Voltage: AC220V/50Hz
- ◆ Life time: 50,000hour
- ◆ IP Rating: IP55
- Optional color:



## KS-CPD-11-10W

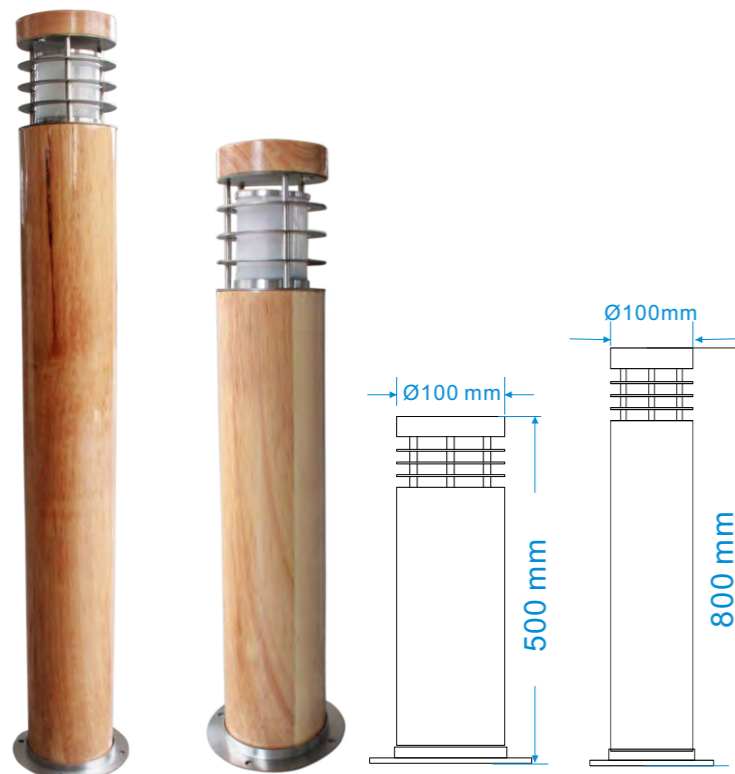


### Product parameters

- ◆ Size: Ø185mm x Ø160mm x H430mm
- ◆ LED Chip: LUMILEDS
- ◆ Beam angle: 120°
- ◆ CCT: 3000K-6000K
- ◆ Power: 10W
- ◆ Voltage: AC220V
- ◆ Life time: 50,000hour
- ◆ IP Rating: IP65
- Optional color:



## KS-CPD-10-10W

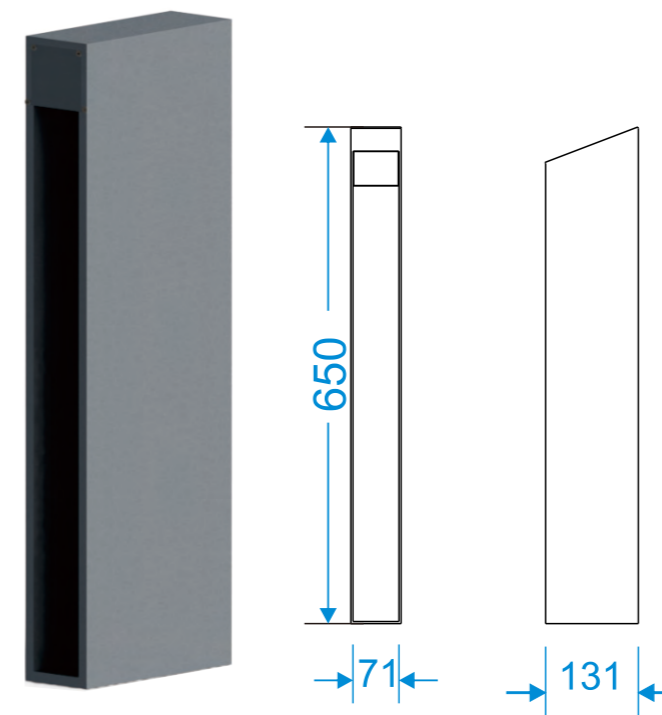


### Product parameters

- ◆ Size: Ø100mm x 500mm/800mm
- ◆ LED Chip: LUMILEDS
- ◆ Beam angle: 120°
- ◆ CCT: 3000K-6000K
- ◆ Power: 10W
- ◆ Voltage: AC220V/50Hz
- ◆ Life time: 50,000hour
- ◆ IP Rating: IP55
- Optional color:



## KS-CPD-12-8.8W

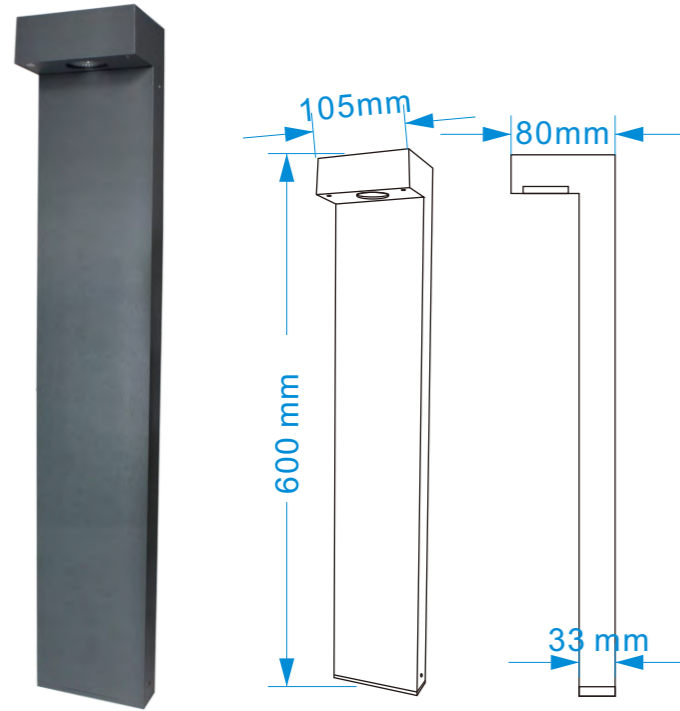


### Product parameters

- ◆ Size: 71mm x 131mm x 650mm
- ◆ LED Chip: SAMSUNG/CREE/EPISTAR
- ◆ Beam angle: 120°
- ◆ CCT: 3000K-6000K
- ◆ Power: 8.8W
- ◆ Voltage: AC220V
- ◆ Life time: 50,000hour
- ◆ IP Rating: IP65
- Optional color:



## KS-CPD-13-10W



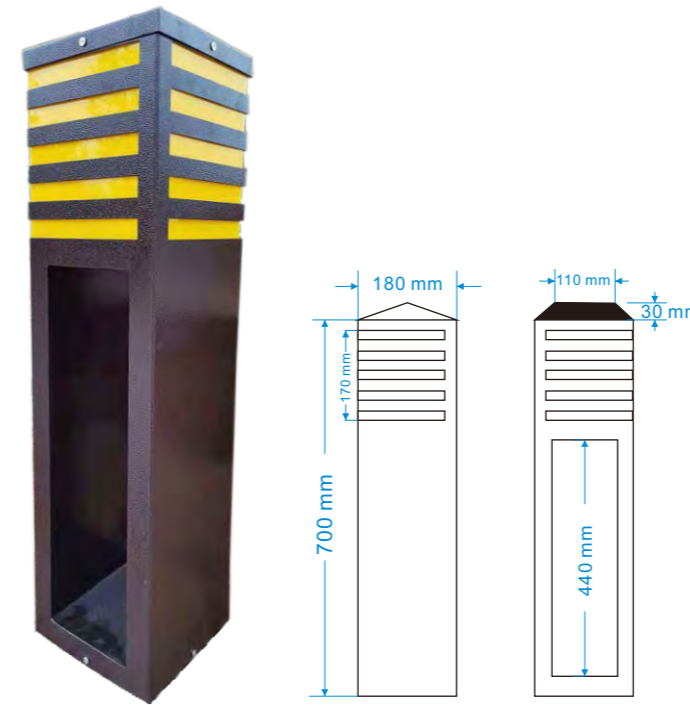
### Product parameters

- ◆ Size: 700mm x 105mm x 180mm
- ◆ LED Chip: CREE/LUMLEDS/EPISTAR/OSRAM
- ◆ Beam angle: 120°
- ◆ CCT: 3000K-6000K
- ◆ Power: 7W
- ◆ Voltage: AC220V-240V
- ◆ Life time: 50,000hour
- ◆ IP Rating: IP65

Optional color:



## KS-CPD-15-10W



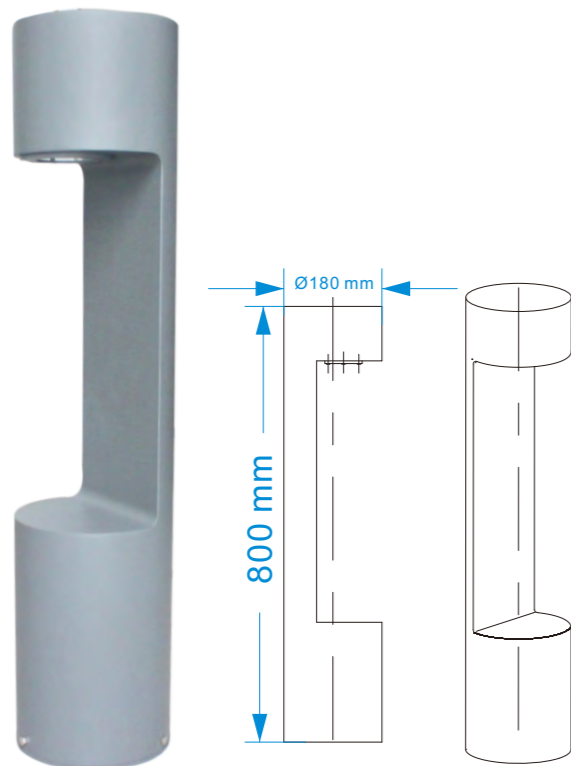
### Product parameters

- ◆ Size: 700mm x 180mm x 180mm
- ◆ LED Chip: CREE/LUMLEDS/EPISTAR/OSRAM
- ◆ Beam angle: 120°
- ◆ CCT: 3000K-6000K
- ◆ Power: 10W
- ◆ Voltage: AC220V
- ◆ Life time: 50,000hour
- ◆ IP Rating: IP65

Optional color:



## KS-CPD-14-10W



### Product parameters

- ◆ Size: Ø180mm x 800mm
- ◆ LED Chip: CREE/LUMLEDS/EPISTAR/OSRAM
- ◆ Beam angle: 90°-120°
- ◆ CCT: 3000K-6000K
- ◆ Power: 15W
- ◆ Voltage: DC24V
- ◆ Life time: 50,000hour
- ◆ IP Rating: IP65

Optional color:





## LED ground lamp series



### Introduction of buried lamp:

LED ground lamp adopts precision cast aluminum body, stainless steel polished panel or aluminum alloy panel, High quality waterproof joint, silicone rubber sealing ring, arc-shaped multi-angle refraction reinforced glass, waterproof, Dustproof, leakage proof and corrosion resistant. The design is simple and the appearance is small and delicate.

### Application place:

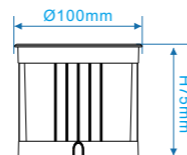
Widely used in squares, restaurants, private villas, gardens, conference rooms, exhibition halls, Community landscaping, stage bar, shopping mall, parking sculpture, tourist attractions Place and so on light decoration.



KS-DMD-01-3W



1. Tempered Glass
2. Aluminium
3. Embedded part
4. IP65

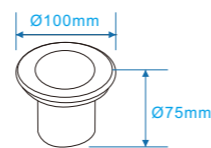


Light source	Power	Optional color	Voltage
LED	1Wx3Pcs		220V/24V/12V

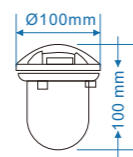
KS-DMD-02-3W



1. Tempered Glass
2. Aluminium
3. Embedded part
4. IP65



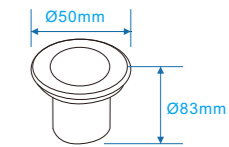
Light source	Power	Optional color	Voltage
LED	1Wx3Pcs		220V/24V/12V



KS-DMD-03-1W



1. Tempered Glass
2. Aluminium
3. Embedded part
4. IP65

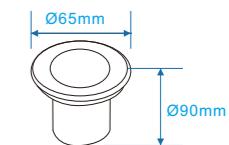


Light source	Power	Optional color	Voltage
LED	1Wx1Pcs		220V/24V/12V

KS-DMD-04-1W



1. Tempered Glass
2. Aluminium
3. Embedded part
4. IP65

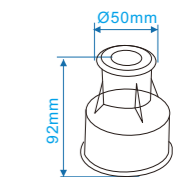


Light source	Power	Optional color	Voltage
LED	1W/3Wx1Pcs		220V/24V/12V

KS-DMD-05-3W

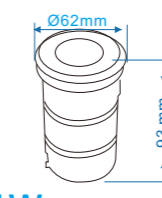


1. Tempered Glass
2. Aluminium
3. Embedded part
4. IP65

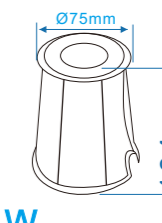


Light source	Power	Optional color	Voltage
LED	1Wx1Pcs 1Wx3Pcs		220V/24V/12V

KS-DMD-06-1W



KS-DMD-07-1W



## KS-DMD-08-3W



1. Tempered Glass
2. Aluminium
3. Embedded part
4. IP65



Light source	Power	Optional color	Voltage
LED	1Wx3Pcs	RGB	220V/24V/12V

## KS-DMD-09-5W



1. Tempered Glass
2. Aluminium
3. Embedded part
4. IP65

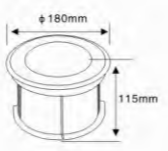


Light source	Power	Optional color	Voltage
LED	1Wx5Pcs	RGB	220V/24V/12V

## KS-DMD-10-9W



1. Tempered Glass
2. Aluminium
3. Embedded part
4. IP65



Light source	Power	Optional color	Voltage
LED	1Wx9Pcs	RGB	220V/24V/12V

## KS-DMD-11-12W



1. Tempered Glass
2. Aluminium
3. Embedded part
4. IP65



Light source	Power	Optional color	Voltage
LED	1Wx12Pcs	RGB	220V/24V/12V

## KS-DMD-12-3W



1. Tempered Glass
2. Aluminium
3. Embedded part
4. IP65



Light source	Power	Optional color	Voltage
LED	1Wx3Pcs	RGB	220V/24V/12V

## KS-DMD-13-3W



1. Tempered Glass
2. Aluminium
3. Embedded part
4. IP65



Light source	Power	Optional color	Voltage
LED	1Wx3Pcs	RGB	220V/24V/12V

## KS-DMD-14-5W



1. Tempered Glass
2. Aluminium
3. Embedded part
4. IP65



Light source	Power	Optional color	Voltage
LED	1Wx3Pcs	RGB	220V/24V/12V

## KS-DMD-15-9W



1. Tempered Glass
2. Aluminium
3. Embedded part
4. IP65



Light source	Power	Optional color	Voltage
LED	1Wx3Pcs	RGB	220V/24V/12V

**KS-DMD-16-15W**



1. Tempered Glass
2. Aluminium
3. Embedded part
4. IP65

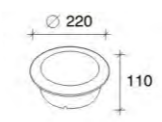


Light source	Power	Optional color	Voltage
LED	1Wx15Pcs	RGB	220V/24V/12V

**KS-DMD-17-18W**



1. Tempered Glass
2. Aluminium
3. Embedded part
4. IP65

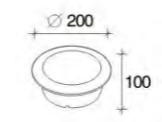


Light source	Power	Optional color	Voltage
LED	1Wx18Pcs	RGB	220V/24V/12V

**KS-DMD-18-15W**



1. Tempered Glass
2. Aluminium
3. Embedded part
4. IP65

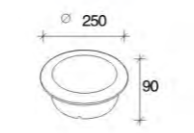


Light source	Power	Optional color	Voltage
LED	1Wx15Pcs	RGB	220V/24V/12V

**KS-DMD-19-18W**



1. Tempered Glass
2. Aluminium
3. Embedded part
4. IP65

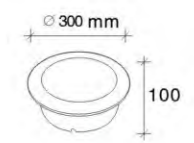


Light source	Power	Optional color	Voltage
LED	1Wx18Pcs	RGB	220V/24V/12V

**KS-DMD-20-36W**



1. Tempered Glass
2. Aluminium
3. Embedded part
4. IP65



Light source	Power	Optional color	Voltage
LED	1Wx36Pcs	RGB	220V/24V/12V

**KS-DMD-21-36W**



1. Tempered Glass
2. Aluminium
3. Embedded part
4. IP65



Light source	Power	Optional color	Voltage
LED	1Wx36Pcs	RGB	220V/24V/12V

**KS-DMD-22-15W**



1. Tempered Glass
2. Aluminium
3. Embedded part
4. IP65



Light source	Power	Optional color	Voltage
LED	1Wx15Pcs	RGB	220V/24V/12V

**KS-DMD-23-9W**



1. Tempered Glass
2. Aluminium
3. Embedded part
4. IP65

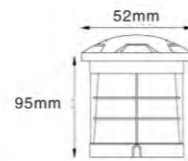



Light source	Power	Optional color	Voltage
LED	1Wx9Pcs	RGB	220V/24V/12V

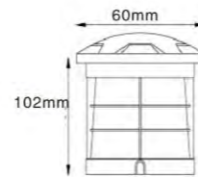
KS-DMD-24-1W



1. Tempered Glass
2. Aluminium
3. Embedded part
4. IP65



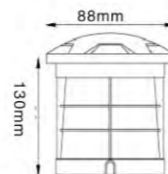
Light source	Power	Optional color	Voltage
LED 	1Wx1Pcs 1Wx1Pcs		220V/24V/12V





KS-DMD-25-3W



1. Tempered Glass
2. Aluminium
3. Embedded part
4. IP65

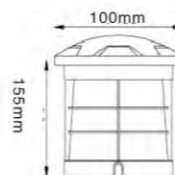



Light source	Power	Optional color	Voltage
LED 	1Wx3Pcs		220V/24V/12V

KS-DMD-26-3W



1. Tempered Glass
2. Aluminium
3. Embedded part
4. IP65

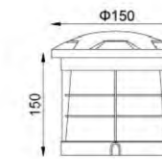




Light source	Power	Optional color	Voltage
LED 	1Wx3Pcs		220V/24V/12V

KS-DMD-27-9W



1. Tempered Glass
2. Aluminium
3. Embedded part
4. IP65



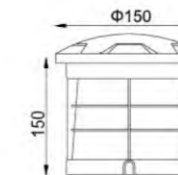
Light source	Power	Optional color	Voltage
LED 	1Wx7Pcs 1Wx9Pcs		220V/24V/12V





KS-DMD-28-7W



1. Tempered Glass
2. Aluminium
3. Embedded part
4. IP65

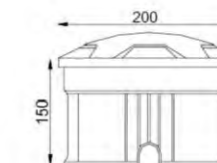




Light source	Power	Optional color	Voltage
LED 	1Wx7Pcs		220V/24V/12V

KS-DMD-29-7W



1. Tempered Glass
2. Aluminium
3. Embedded part
4. IP65



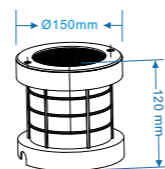
Light source	Power	Optional color	Voltage
LED 	1Wx7Pcs		220V/24V/12V



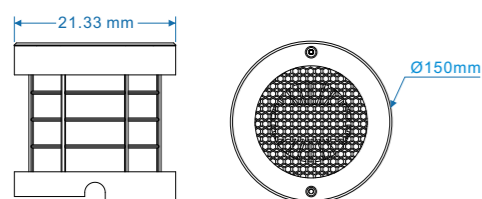
## KS-DMD-29-15W



1. Tempered Glass
2. Aluminium
3. Embedded part
4. IP65



Light source	Power	Optional color	Voltage
CREE	15W	2700K-6500K	220V/24V/12V

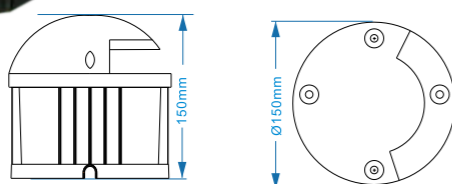


## KS-DMD-30-2\*3W



1. Tempered Glass
2. Aluminium
3. Embedded part
4. IP65

Light source	Power	Optional color	Voltage
CREE/Samsung/Epistar/Philips	2*3W	2700K-6500K	220V/24V/12V

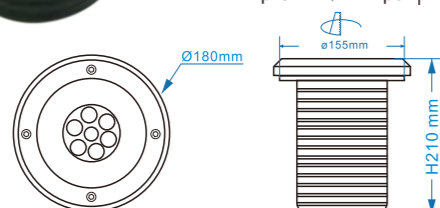


## KS-DMD-31-3W



1. Tempered Glass
2. Aluminium
3. Embedded part
4. IP65

Light source	Power	Optional color	Voltage
CREE/Samsung/Epistar/Philips	7W	2700K-6500K	220V/24V/12V

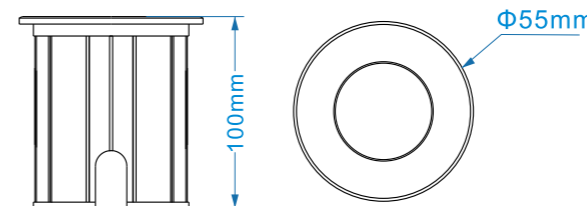


## KS-DMD-32-7W



1. Tempered Glass
2. Aluminium
3. Embedded part
4. IP65

Light source	Power	Optional color	Voltage
CREE	7W	2700K-6500K	220V/24V/12V

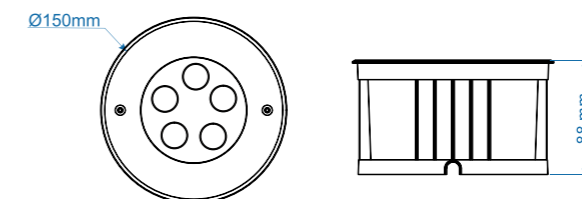


## KS-DMD-33-6W



1. Tempered Glass
2. Aluminium
3. Embedded part
4. IP65

Light source	Power	Optional color	Voltage
CREE/Samsung/Epistar/Philips	6W	2700K-6500K	220V/24V/12V

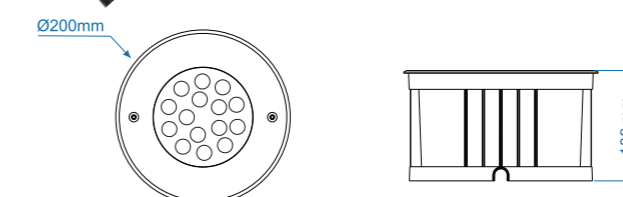


## KS-DMD-34-15W



1. Tempered Glass
2. Aluminium
3. Embedded part
4. IP65

Light source	Power	Optional color	Voltage
CREE/Samsung/Epistar/Philips	15W	2700K-6500K	220V/24V/12V

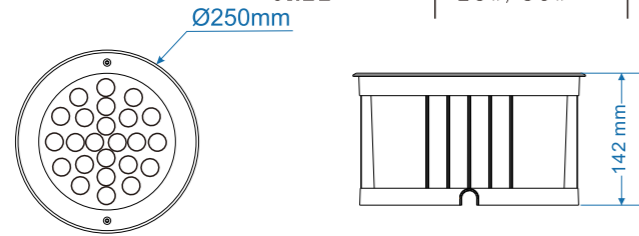


## KS-DMD-35-36W



- 1. Tempered Glass
- 2. Aluminium
- 3. Embedded part
- 4. IP65

Light source	Power	Optional color	Voltage
CREE	25W/36W	3000K	220V/24V/12V

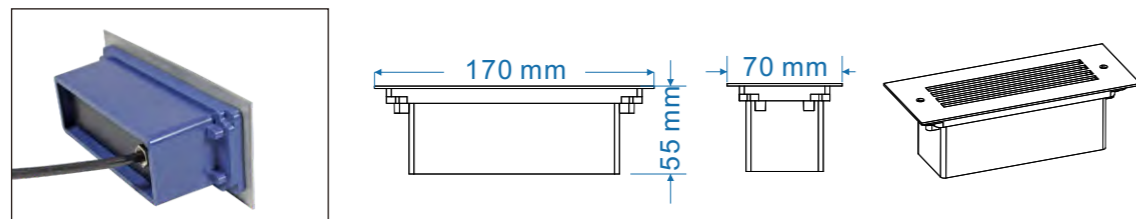


## KS-DMD-36-3W

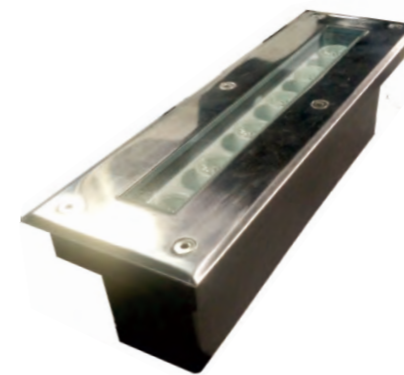


- 1. Tempered Glass
- 2. Aluminium
- 3. Embedded part
- 4. IP65

Light source	Power	Optional color	Voltage
CREE/SAMSUNG/EPICSTAR/PHILIPS	3W	3000K	AC220V

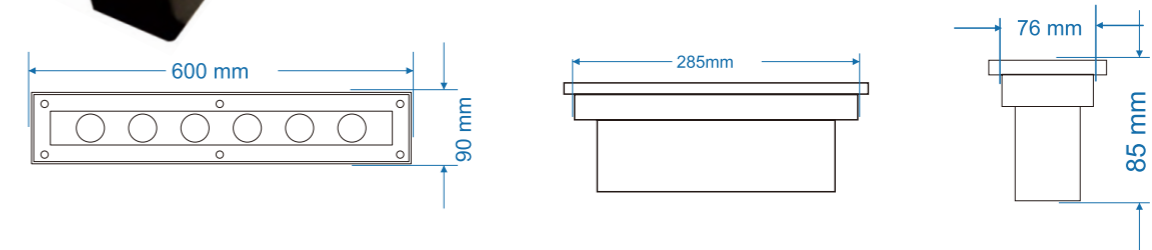


## KS-DMD-37-8.2W

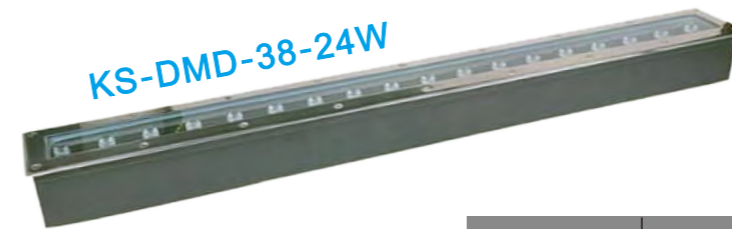


- 1. Tempered Glass
- 2. Aluminium
- 3. Embedded part
- 4. IP65

Light source	Power	Optional color	Voltage
CREE/Samsung/EpICSTAR/Philips	8.2W	2700K-7000K	220V/24V/12V

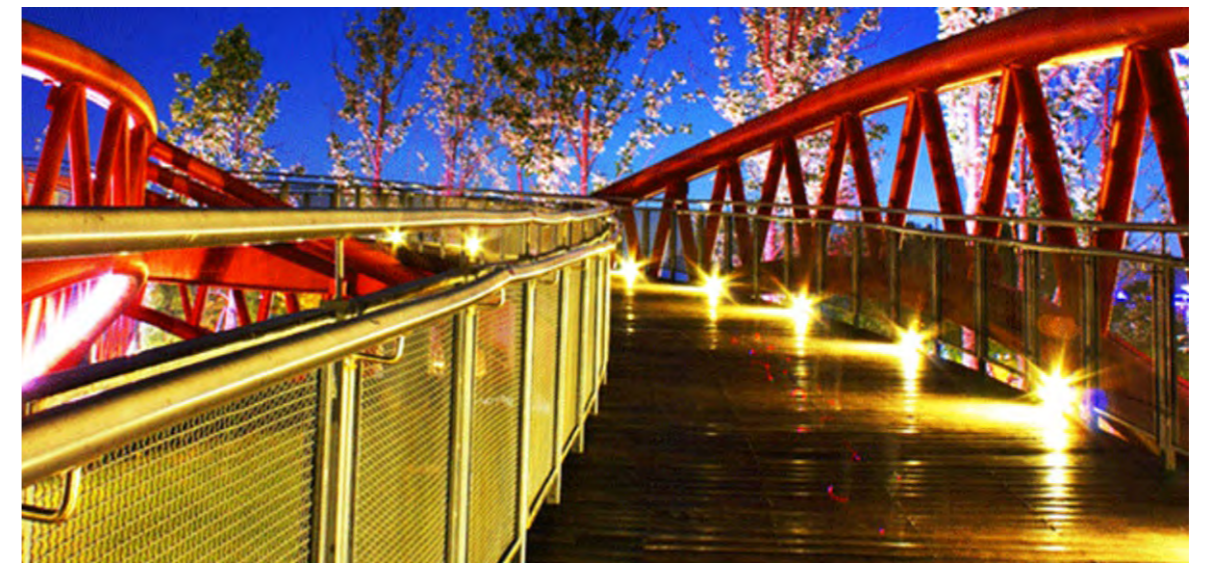
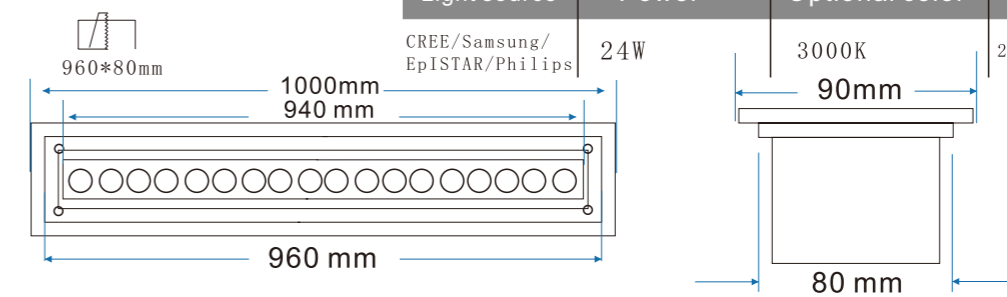


## KS-DMD-38-24W



- 1. Tempered Glass
- 2. Aluminium
- 3. Embedded part
- 4. IP65

Light source	Power	Optional color	Voltage
CREE/Samsung/EpICSTAR/Philips	24W	3000K	220V/24V/12V

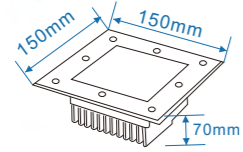


**KS-DMD-44-5W**

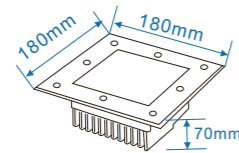


- 1. Tempered Glass
- 2. Aluminium
- 3. Embedded part
- 4. IP65

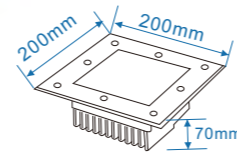
Light source	Power	Optional color	Voltage
LED	1Wx5/7Pcs	RGB	220V/24V/12V
LED	1Wx16Pcs		
LED	1Wx20Pcs		



**KS-DMD-44-16W**



**KS-DMD-44-20W**

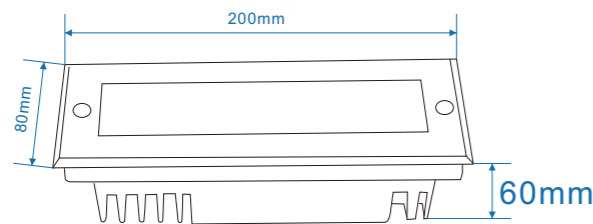


**KS-DMD-45-6W**



- 1. Tempered Glass
- 2. Aluminium
- 3. Embedded part
- 4. IP65

Light source	Power	Optional color	Voltage
LED	1Wx6Pcs	RGB	220V/24V/12V

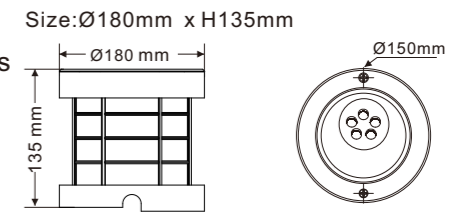


**KS-DMD-47-9W**



- 1. Tempered Glass
- 2. Aluminium
- 3. Embedded part
- 4. IP65

Light source	Power	Optional color	Voltage
LED	9W	RGB	220V/24V/12V

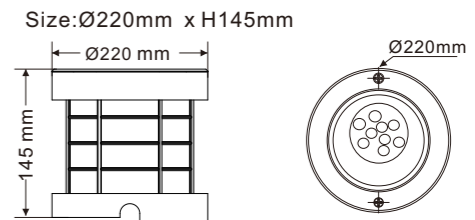


**KS-DMD-48-18W**



- 1. Tempered Glass
- 2. Aluminium
- 3. Embedded part
- 4. IP65

Light source	Power	Optional color	Voltage
LED	18W	RGB	220V/24V/12V

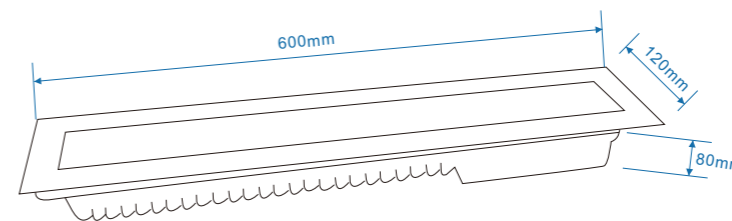


**KS-DMD-49-24W**



- 1. Tempered Glass
- 2. Aluminium
- 3. Embedded part
- 4. IP65

Light source	Power	Optional color	Voltage
LED	1Wx24Pcs	RGB	220V/24V/12V





LED Underwater Light Series



Reliability is the key design input on which we base our solutions for hotel and residential underwater, swimming pool and water feature applications. Recessed versions are available with different kinds of optics and colour temperatures, as well as RGB versions and adjustment systems for creating special light scenarios.

Application:  
Swimming pool, Fountain, Aquarium, etc

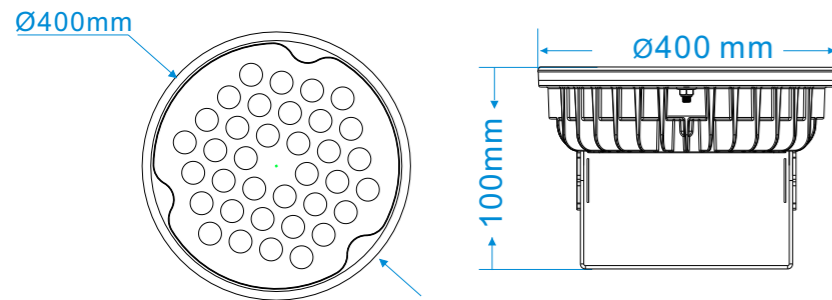
## KS-SDD-01-24W/36W/72W/108W/180W



### Product parameters

- ◆ Size: Ø400mm x 100mm
- ◆ LED Chip: CREE/LUMLEDS/EPISTAR/OSRAM
- ◆ Beam angle: 8-65°
- ◆ CCT: 3000K-6000K/ RGB
- ◆ Power: 24W/36W/72W/108W/180W
- ◆ Voltage: DC24V
- ◆ Life time: 50,000hour
- ◆ IP Rating: IP68

Optional color:



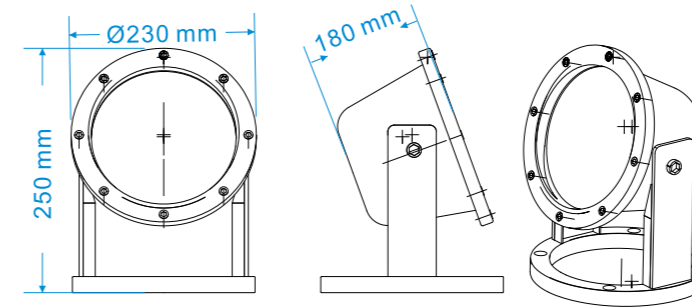
## KS-SDD-03-36W



### Product parameters

- ◆ Size: Ø230mm x 180x250mm
- ◆ LED Chip: CREE/LUMLEDS/EPISTAR/OSRAM
- ◆ Beam angle: 60°
- ◆ CCT: 3000K-6000K/ RGB
- ◆ Power: 36W
- ◆ Voltage: DC24V
- ◆ Life time: 50,000hour
- ◆ IP Rating: IP68

Optional color:



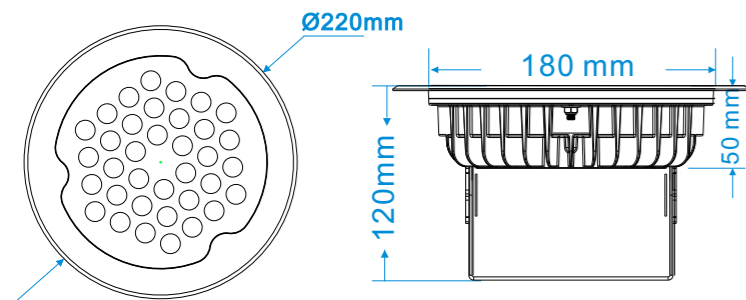
## KS-SDD-02-24W/36W/72W/108W/180W



### Product parameters

- ◆ Size: Ø220mm x 120mm
- ◆ LED Chip: CREE/LUMLEDS/EPISTAR/OSRAM
- ◆ Beam angle: 8-65°
- ◆ CCT: 3000K-6000K/ RGB
- ◆ Power: 24W/36W/72W/108W/180W
- ◆ Voltage: DC24V
- ◆ Life time: 50,000hour
- ◆ IP Rating: IP68

Optional color:



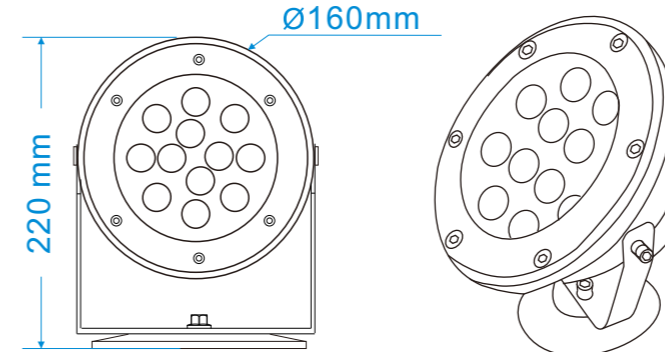
## KS-SDD-04-18W/36W



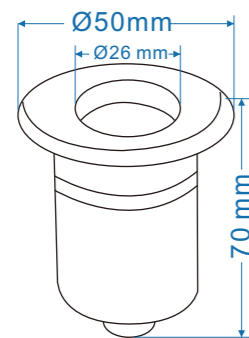
### Product parameters

- ◆ Size: Ø160mm x H220mm
- ◆ LED Chip: CREE/LUMLEDS/EPISTAR/OSRAM
- ◆ Beam angle: 8-65°
- ◆ CCT: 3000K-6000K/ RGB
- ◆ Power: 18W/36W
- ◆ Voltage: DC24V
- ◆ Life time: 50,000hour
- ◆ IP Rating: IP68

Optional color:



## KS-SDD-05-1W



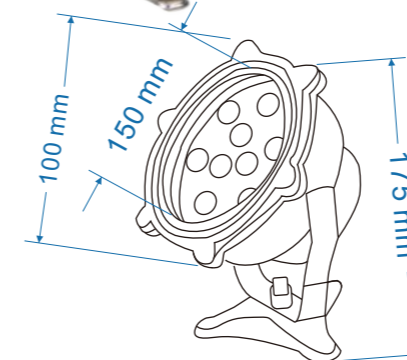
### Product parameters

- ◆ Size:  $\varnothing 50\text{mm} \times \text{H}70\text{mm}(26\text{mm})$
- ◆ LED Chip: CREE/LUMILEDS/EPISTAR/OSRAM
- ◆ Beam angle: 8-65°
- ◆ CCT: 3000K-6000K/RGB
- ◆ Power: 1W
- ◆ Voltage: DC12V/24V
- ◆ Life time: 50,000hour
- ◆ IP Rating: IP68

Optional color:



## KS-SDD-07-9W



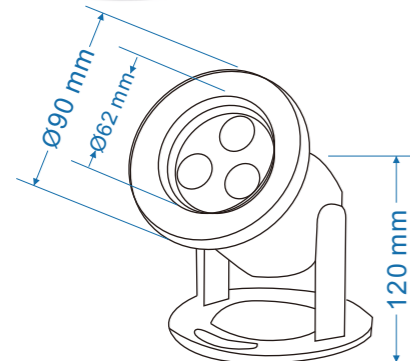
### Product parameters

- ◆ Size:  $\varnothing 150\text{mm} \times \text{H}175\text{mm}$
- ◆ LED Chip: CREE/LUMILEDS/EPISTAR/OSRAM
- ◆ Beam angle: 8-65°
- ◆ CCT: 3000K-6000K/RGB
- ◆ Power: 9W
- ◆ Voltage: DC12V/24V
- ◆ Life time: 50,000hour
- ◆ IP Rating: IP68

Optional color:



## KS-SDD-06-3W



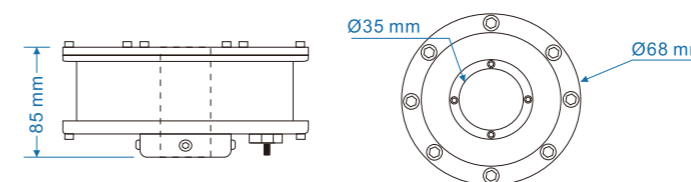
### Product parameters

- ◆ Size:  $\varnothing 90\text{mm} \times \text{H}120\text{mm}$
- ◆ LED Chip: CREE/LUMILEDS/EPISTAR/OSRAM
- ◆ Beam angle: 8-65°
- ◆ CCT: 3000K-6000K/RGB
- ◆ Power: 3W
- ◆ Voltage: DC12V/24V
- ◆ Life time: 50,000hour
- ◆ IP Rating: IP68

Optional color:



## KS-SDD-08-12W



### Product parameters

- ◆ Size:  $\varnothing 68\text{mm} \times \text{H}85\text{mm}$
- ◆ LED Chip: CREE/LUMILEDS/EPISTAR/OSRAM
- ◆ Beam angle: 8-65°
- ◆ CCT: 3000K-6000K/RGB
- ◆ Power: 12W
- ◆ Voltage: DC12V/24V
- ◆ Life time: 50,000hour
- ◆ IP Rating: IP68

Optional color:



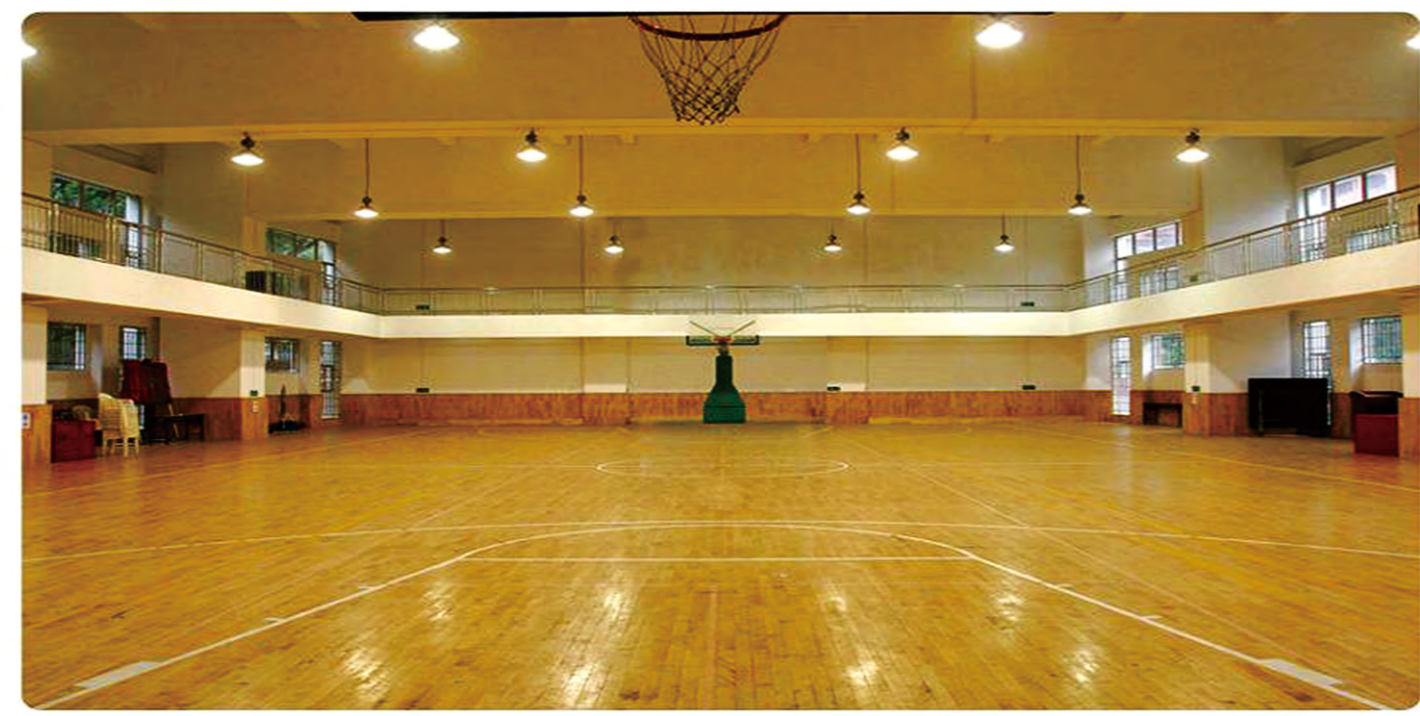
## LED mining lamp series

### LED High Bay

High bay led lighting provide high performance, long lifespan and energy savings for illuminating large commercial and industrial areas. It is a great replacement or upgrade choice for existing HID metal halide and fluorescent high bay light fixture. Upgrading to LED can save your money in electricity bill and improve visibility and worker safety while enhancing productivity.

### Application:

Factory, Warehouse, Supermarkets, Exhibition halls and etc.



**KS-GKD-01-80W**



Size: Ø583\*75\*220  
 CCT: 3000K-6000K/RGB  
 Power: 4\*20W  
 IP Rating: IP65  
 Working Temperature: -30°C ~ +50°C  
 Beam angle: 60°-120°  
 Voltage: AC85-265V/50/60Hz  
 Life time: 50,000hour  
 Optional color: ●●●●●●●●●●



**KS-GKD-02-100W**

Size: Ø300\*H270mm  
 CCT: 3000K-6000K/RGB  
 Power: 1\*100W  
 IP Rating: IP65  
 Working Temperature: -30°C ~ +50°C  
 Beam angle: 60°-120°  
 Voltage: AC85-265V/50/60Hz  
 Life time: 50,000hour  
 Optional color: ●●●●●●●●●●



**KS-GKD-03-3\*300W**

Size: Ø370\*H180mm  
 CCT: 3000K-6000K/RGB  
 Power: 3\*300W  
 IP Rating: IP65  
 Working Temperature: -30°C ~ +50°C  
 Beam angle: 60°-120°  
 Voltage: AC85-265V/50/60Hz  
 Life time: 50,000hour  
 Optional color: ●●●●●●●●●●



**KS-GKD-04-120W**

Size: Ø370\*H180mm  
 CCT: 3000K-6000K/RGB  
 Power: 6\*20W  
 IP Rating: IP65  
 Working Temperature: -30°C ~ +50°C  
 Beam angle: 60°-120°  
 Voltage: AC85-265V/50/60Hz  
 Life time: 50,000hour  
 Optional color: ●●●●●●●●●●



**KS-GKD-05-30W**

Size: Ø450\*H300mm  
 CCT: 3000K-6000K/RGB  
 Power: 1\*30W  
 IP Rating: IP65  
 Working Temperature: -30°C ~ +50°C  
 Beam angle: 60°-120°  
 Voltage: AC85-265V/50/60Hz  
 Life time: 50,000hour  
 Optional color: ●●●●●●●●●●



**KS-GKD-06-120W**

Size: Ø500\*H370mm  
 CCT: 3000K-6000K/RGB  
 Power: 3\*40W  
 IP Rating: IP65  
 Working Temperature: -30°C ~ +50°C  
 Beam angle: 60°-120°  
 Voltage: AC85-265V/50/60Hz  
 Life time: 50,000hour  
 Optional color: ●●●●●●●●●●



**KS-GKD-07-180W**

Size: Ø500\*H490mm  
 CCT: 3000K-6000K/RGB  
 Power: 3\*60W  
 IP Rating: IP65  
 Working Temperature: -30°C ~ +50°C  
 Beam angle: 60°-120°  
 Voltage: AC85-265V/50/60Hz  
 Life time: 50,000hour  
 Optional color: ●●●●●●●●●●



**KS-GKD-08-30/50W**

CCT:3000K-6000K/RGB  
 Power:30-50W  
 IP Rating:IP65  
 Working Temperature:-30°C ~+50°C  
 Beam angle:60°-120°  
 Voltage : AC85-265V/50/60Hz  
 Life time:50,000hour  
 Optional color: ●●●●●○●●



**KS-GKD-09-60W/120W**

CCT:3000K-6000K/RGB  
 Power:20-40W  
 IP Rating:IP65  
 Working Temperature:-30°C ~+50°C  
 Beam angle:60°-120°  
 Voltage : AC85-265V/50/60Hz  
 Life time:50,000hour  
 Optional color: ●●●●●○●●



**KS-GKD-10-80W/120W**

CCT:3000K-6000K/RGB  
 Power:20W-30W  
 IP Rating:IP65  
 Working Temperature:-30°C ~+50°C  
 Beam angle:60°-120°  
 Voltage : AC85-265V/50/60Hz  
 Life time:50,000hour  
 Optional color: ●●●●●○●●



**KS-GKD-11-100W**

CCT:3000K-6000K/RGB  
 Power:20W  
 IP Rating:IP65  
 Working Temperature:-30°C ~+50°C  
 Beam angle:60°-120°  
 Voltage : AC85-265V/50/60Hz  
 Life time:50,000hour  
 Optional color: ●●●●●○●●



**KS-GKD-12-120W/180W**

CCT:3000K-6000K/RGB  
 Power:20W-30W  
 IP Rating:IP65  
 Working Temperature:-30°C ~+50°C  
 Beam angle:60°-120°  
 Voltage : AC85-265V/50/60Hz  
 Life time:50,000hour  
 Optional color: ●●●●●○●●



**KS-GKD-13-180W**

CCT:3000K-6000K/RGB  
 Power:20W  
 IP Rating:IP65  
 Working Temperature:-30°C ~+50°C  
 Beam angle:60°-120°  
 Voltage : AC85-265V/50/60Hz  
 Life time:50,000hour  
 Optional color: ●●●●●○●●



**KS-GKD-14-30W**

CCT:3000K-6000K/RGB  
 Power:30W  
 IP Rating:IP65  
 Working Temperature:-30°C ~+50°C  
 Beam angle:60°-120°  
 Voltage : AC85-265V/50/60Hz  
 Life time:50,000hour  
 Optional color: ●●●●●○●●



**KS-GKD-15-70W**

CCT:3000K-6000K/RGB  
 Power:70W  
 IP Rating:IP65  
 Working Temperature:-30°C ~+50°C  
 Beam angle:60°-120°  
 Voltage : AC85-265V/50/60Hz  
 Life time:50,000hour  
 Optional color: ●●●●●○●●



**KS-GKD-16-80W**

CCT:3000K-6000K/RGB  
 Power:80W  
 IP Rating:IP65  
 Working Temperature:-30°C ~+50°C  
 Beam angle:60°-120°  
 Voltage : AC85-265V/50/60Hz  
 Life time:50,000hour  
 Optional color: ●●●●●○●●



**KS-GKD-17-120W**

CCT:3000K-6000K/RGB  
 Power:40W  
 IP Rating:IP65  
 Working Temperature:-30°C ~+50°C  
 Beam angle:60°-120°  
 Voltage : AC85-265V/50/60Hz  
 Life time:50,000hour  
 Optional color: ●●●●●○●●



**KS-GKD-18-240W**

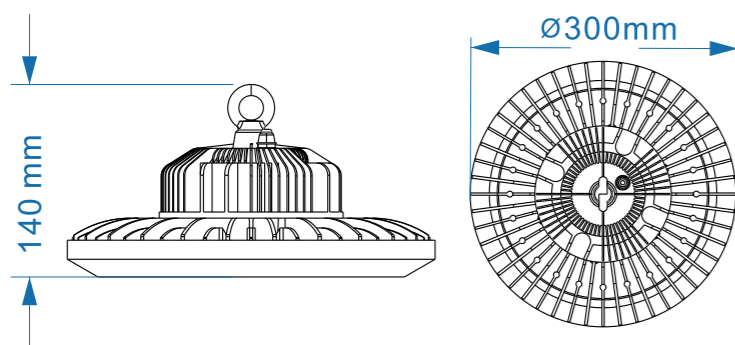
CCT:3000K-6000K/RGB  
 Power:60W  
 IP Rating:IP65  
 Working Temperature:-30°C ~+50°C  
 Beam angle:60°-120°  
 Voltage : AC85-265V/50/60Hz  
 Life time:50,000hour  
 Optional color: ●●●●●○●●



Application:  
 Factory, Warehouse, Supermarkets, Exhibition halls and etc.



KS-GKD-19-150W

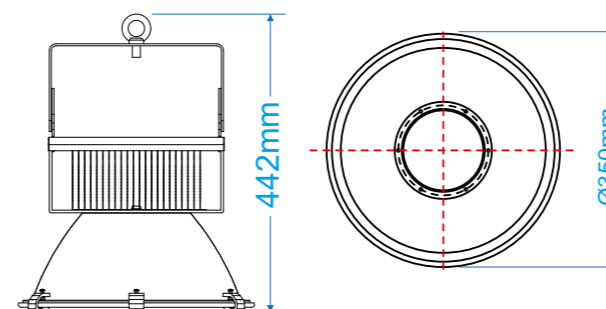


**Product parameters**

- ◆ Size: Ø300mm x 140mm
- ◆ LED Chip: CREE/LUMLLEDS/EPISTAR/OSRAM
- ◆ Beam angle: 30°/45°/60°/90°
- ◆ CCT: 2700K-6500K
- ◆ Power: 150W
- ◆ Voltage: AC220V
- ◆ Life time: 50,000hour
- ◆ IP Rating: IP65
- Optional color:



KS-GKD-21-150W

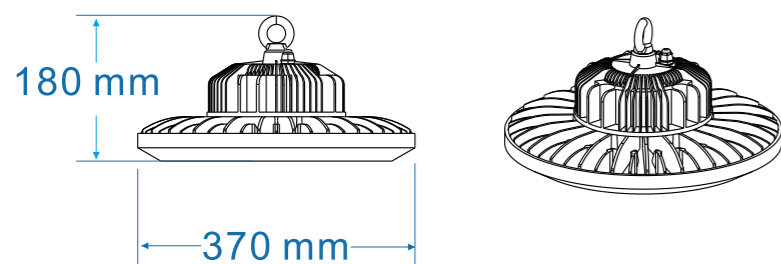


**Product parameters**

- ◆ Size: Ø350mm x 442mm
- ◆ LED Chip: CREE/LUMLLEDS/EPISTAR/OSRAM
- ◆ Beam angle: 60°/90°
- ◆ CCT: 2700K-6500K
- ◆ Power: 150W
- ◆ Voltage: AC220V
- ◆ Life time: 50,000hour
- ◆ IP Rating: IP65
- Optional color:



KS-GKD-20-150W

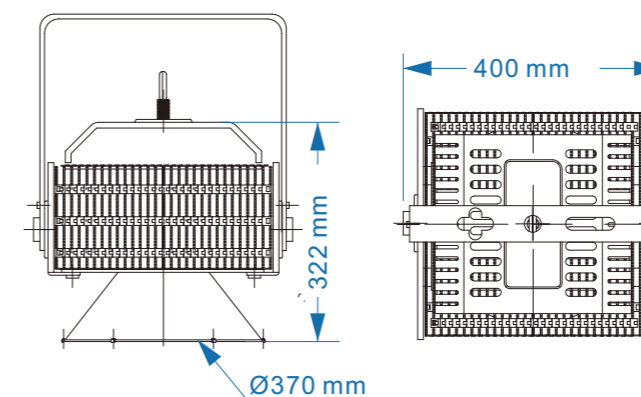


**Product parameters**

- ◆ Size: Ø370mm x 180mm
- ◆ LED Chip: CREE/LUMLLEDS/EPISTAR/OSRAM
- ◆ Beam angle: 30°/45°/60°/90°
- ◆ CCT: 2700K-6500K
- ◆ Power: 150W
- ◆ Voltage: AC220V
- ◆ Life time: 50,000hour
- ◆ IP Rating: IP65
- Optional color:



KS-GKD-22-500W



**Product parameters**

- ◆ Size: Ø370mm x 322mm x 400mm
- ◆ LED Chip: CREE/LUMLLEDS/EPISTAR/OSRAM
- ◆ Beam angle: 30°/45°/60°/90°
- ◆ CCT: 2700K-6500K
- ◆ Power: 500W
- ◆ Voltage: AC85-265V
- ◆ Life time: 50,000hour
- ◆ IP Rating: IP65
- Optional color:



## LED Street Light Series



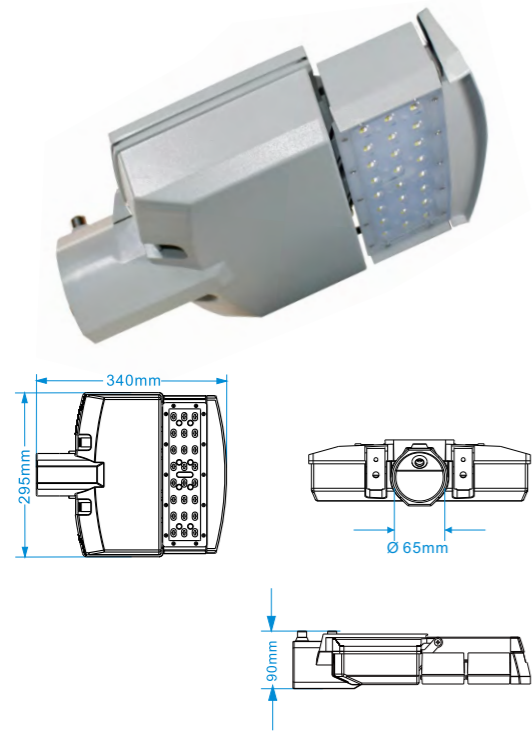
### Brief Introduction

LED street lights offer a wide selection of lighting fixtures, styles, and advanced optical designs with hundreds of photometric options to meet the needs for new construction and renovation projects of residential streets, city streets and public squares, and so on.



## KOS-904-50W

UL Certificate Number: 20170911-E495172

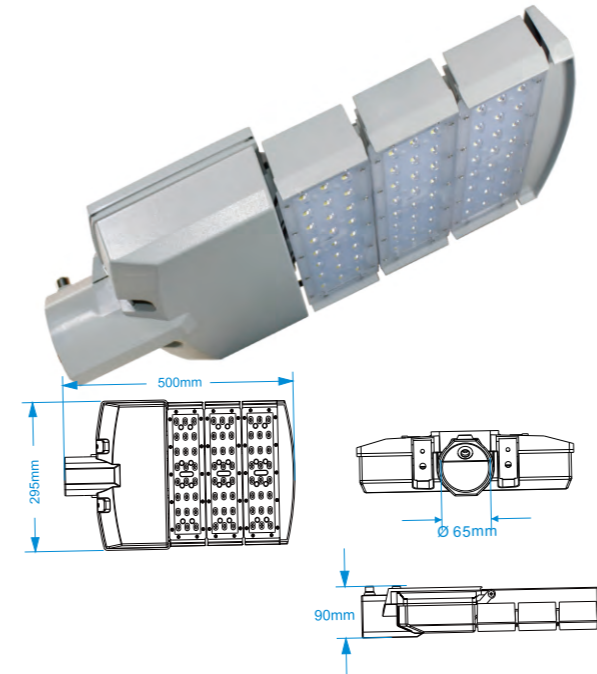


### Product parameters

- ◆ Size: 340mmx295mmx90mm
- ◆ LED Chip: CREE/LUMILEDS/EPISTAR/OSRAM
- ◆ Beam angle: 102°
- ◆ CCT: 2700K-6500K
- ◆ Power: 50W
- ◆ Voltage: AC100V-260V
- ◆ Life time: 50,000hour
- ◆ IP Rating: IP65
- ◆ Lumen: 5900lm

## KOS-904-150W

UL Certificate Number: 20170911-E495172

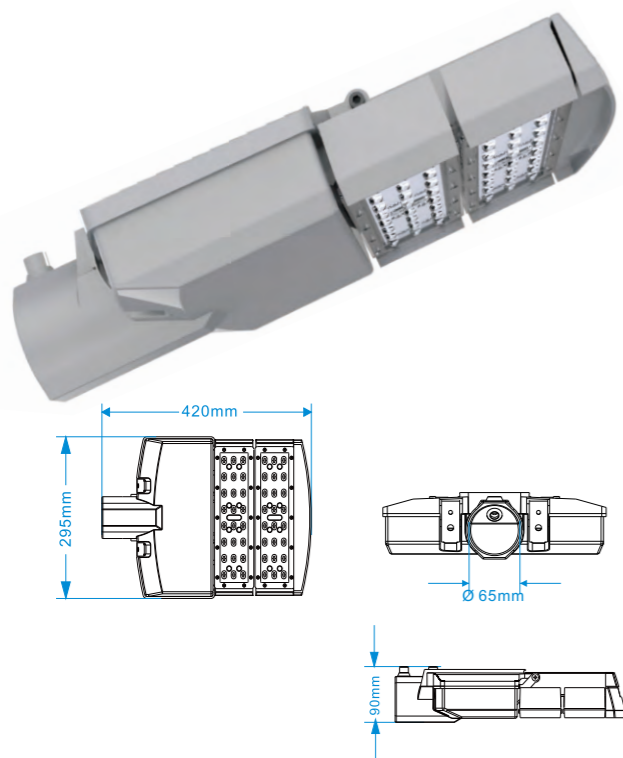


### Product parameters

- ◆ Size: 500mmx295mmx90mm
- ◆ LED Chip: CREE/LUMILEDS/EPISTAR/OSRAM
- ◆ Beam angle: 100°
- ◆ CCT: 2700K-6500K
- ◆ Power: 150W
- ◆ Voltage: AC100V-260V
- ◆ Life time: 50,000hour
- ◆ IP Rating: IP65
- ◆ Lumen: 17300lm

## KOS-904-100W

UL Certificate Number: 20170911-E495172

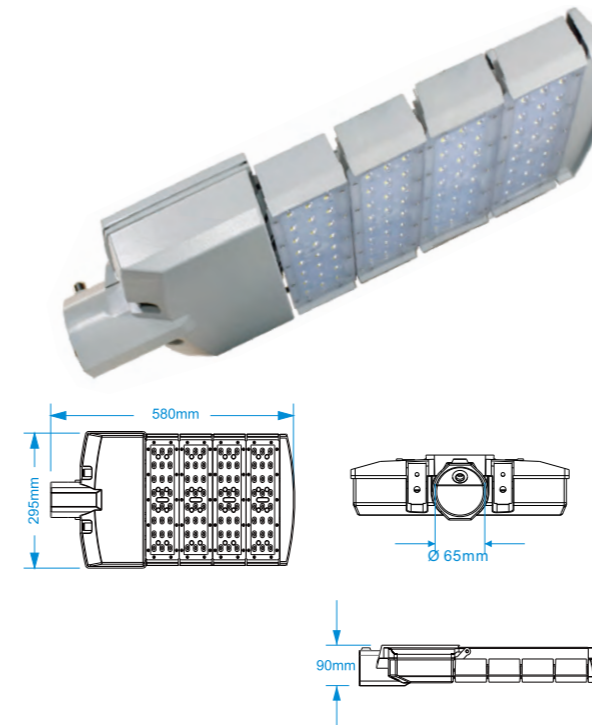


### Product parameters

- ◆ Size: 420mmx295mmx90mm
- ◆ LED Chip: CREE/LUMILEDS/EPISTAR/OSRAM
- ◆ Beam angle: 100°
- ◆ CCT: 2700K-6500K
- ◆ Power: 100W
- ◆ Voltage: AC100V-260V
- ◆ Life time: 50,000hour
- ◆ IP Rating: IP65
- ◆ Lumen: 11600lm

## KOS-904-200W

UL Certificate Number: 20170911-E495172

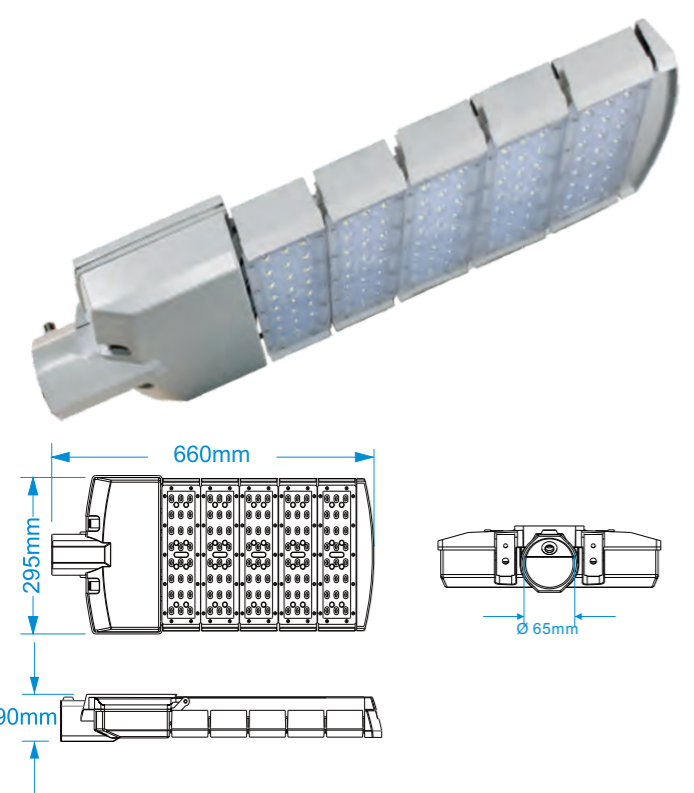


### Product parameters

- ◆ Size: 580mmx295mmx90mm
- ◆ LED Chip: CREE/LUMILEDS/EPISTAR/OSRAM
- ◆ Beam angle: 100°
- ◆ CCT: 2700K-6500K
- ◆ Power: 200W
- ◆ Voltage: AC100V-260V
- ◆ Life time: 50,000hour
- ◆ IP Rating: IP65
- ◆ Lumen: 23000lm

## KOS-904-250W

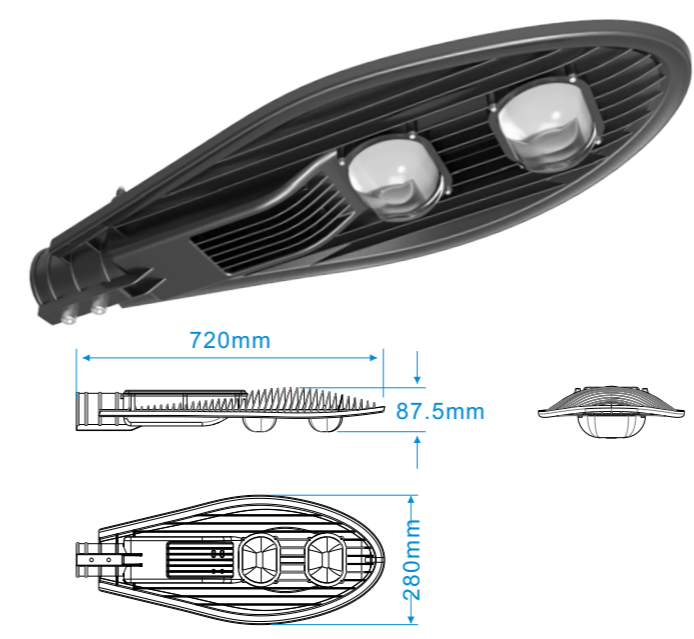
UL Certificate Number: 20170911-E495172



### Product parameters

- ◆ Size: 340mmx295mmx90mm
- ◆ LED Chip: CREE/LUMILEDS/EPISTAR/OSRAM
- ◆ Beam angle: 100°
- ◆ CCT: 2700K-6500K
- ◆ Power: 250W
- ◆ Voltage: AC100V-260V
- ◆ Life time: 50,000hour
- ◆ IP Rating: IP65
- ◆ Lumen: 27000lm

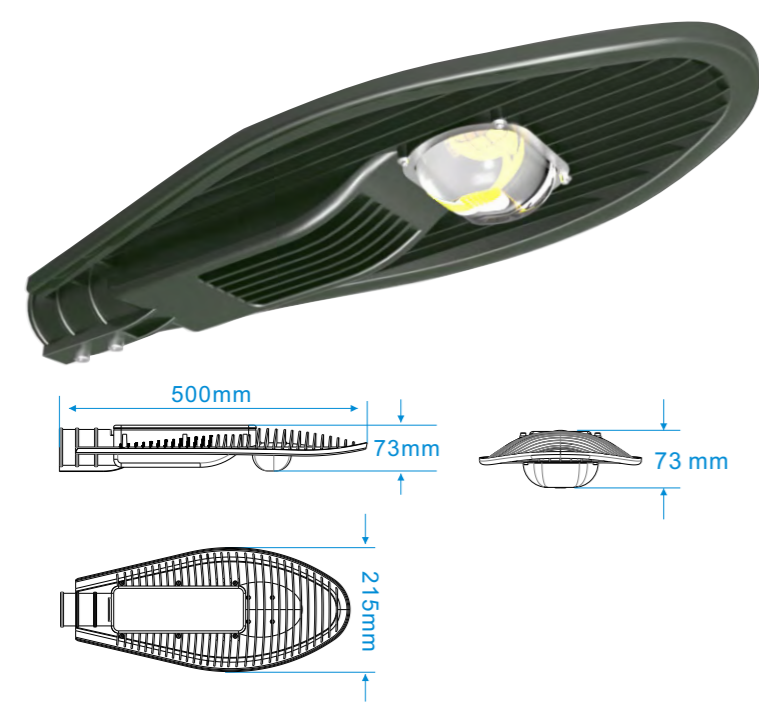
## KOS-901-100W



### Product parameters

- ◆ Size: 720mmx280mmx87.5mm
- ◆ LED Chip: CREE/LUMILEDS/EPISTAR/OSRAM
- ◆ Beam angle: 100°
- ◆ CCT: 2700K-6500K
- ◆ Power: 150W
- ◆ Voltage: AC100V-260V
- ◆ Life time: 50,000hour
- ◆ IP Rating: IP65

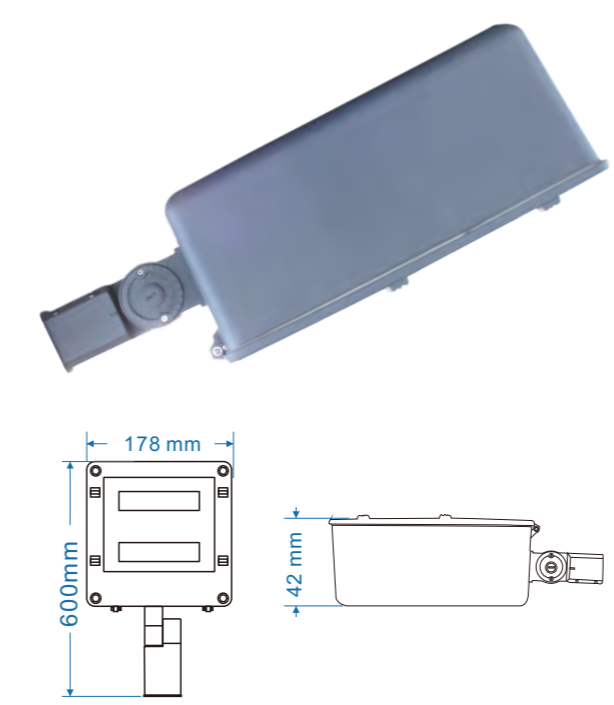
## KOS-901-50W



### Product parameters

- ◆ Size: 500mmx215mmx73mm
- ◆ LED Chip: CREE/LUMILEDS/EPISTAR/OSRAM
- ◆ Beam angle: 100°
- ◆ CCT: 2700K-6500K
- ◆ Power: 50W
- ◆ Voltage: AC100V-260V
- ◆ Life time: 50,000hour
- ◆ IP Rating: IP65

## KS-LD-03-17W



### Product parameters

- ◆ Size: 600mmx178mmx42mm
- ◆ LED Chip: CREE/LUMILEDS/EPISTAR/OSRAM
- ◆ Beam angle: 100°
- ◆ CCT: 2700K-6500K
- ◆ Power: 17W
- ◆ Voltage: AC100V-260V
- ◆ Life time: 50,000hour
- ◆ IP Rating: IP68

## KS-LD-01-60W



### Product parameters

- ◆ Size: 650mmx250mmx90mm
- ◆ LED Chip: CREE/LUMILEDS/EPISTAR/OSRAM
- ◆ Beam angle: 100°
- ◆ CCT: 2700K-6500K
- ◆ Power: 60W
- ◆ Voltage: AC100V-260V
- ◆ Life time: 50,000hour
- ◆ IP Rating: IP66

## KOS-911-70W



### Product parameters

- ◆ Size: 640mmx258mmx97mm
- ◆ LED Chip: CREE/LUMILEDS/EPISTAR/OSRAM
- ◆ Beam angle: 100°
- ◆ CCT: 2700K-6500K
- ◆ Power: 60W
- ◆ Voltage: AC100V-260V
- ◆ Life time: 50,000hour
- ◆ IP Rating: IP66

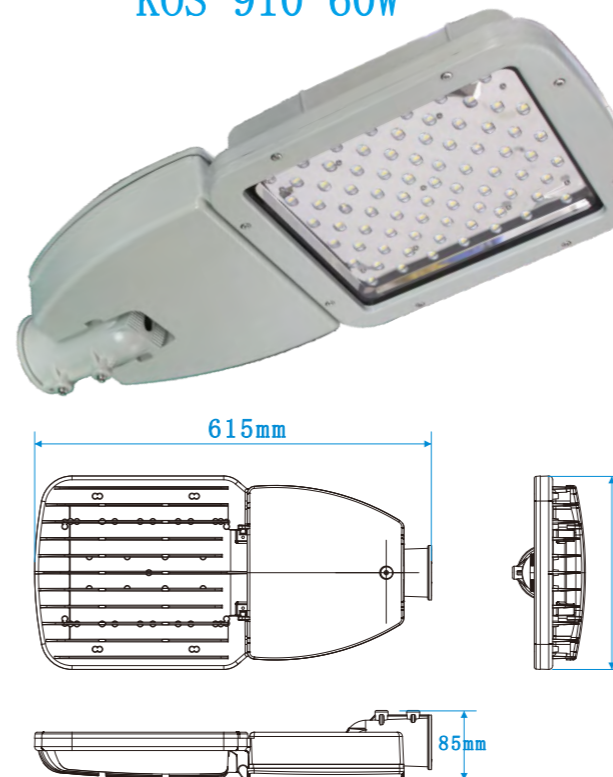
## KOS-903-150W



### Product parameters

- ◆ Size: 780mmx310mmx105mm
- ◆ LED Chip: CREE/LUMILEDS/EPISTAR/OSRAM
- ◆ Beam angle: 100°
- ◆ CCT: 2700K-6500K
- ◆ Power: 150W
- ◆ Voltage: AC100V-260V
- ◆ Life time: 50,000hour
- ◆ IP Rating: IP66

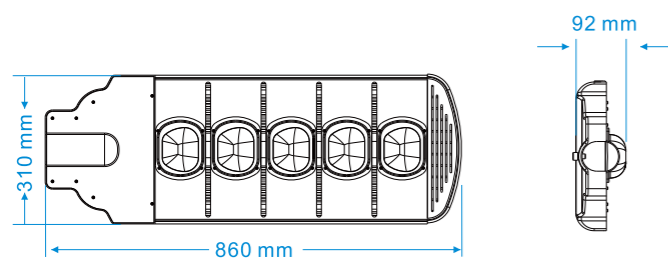
## KOS-910-60W



### Product parameters

- ◆ Size: 850mmx350mmx100mm
- ◆ LED Chip: CREE/LUMILEDS/EPISTAR/OSRAM
- ◆ Beam angle: 100°
- ◆ CCT: 2700K-6500K
- ◆ Power: 60W
- ◆ Voltage: AC100V-260V
- ◆ Life time: 50,000hour
- ◆ IP Rating: IP66

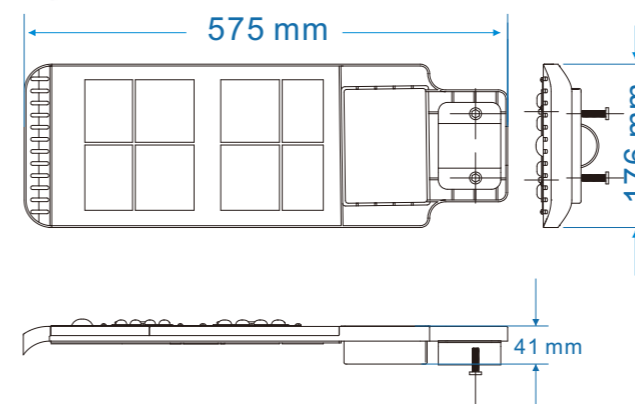
## KOS-905-250W



### Product parameters

- ◆ Size: 860mmx310mmx92mm
- ◆ LED Chip: CREE/SAMSUNG/EPISTAR
- ◆ Beam angle: 100°
- ◆ CCT: 2700K-6500K
- ◆ Power: 250W
- ◆ Voltage: AC100V-260V
- ◆ Life time: 50,000hour
- ◆ IP Rating: IP665

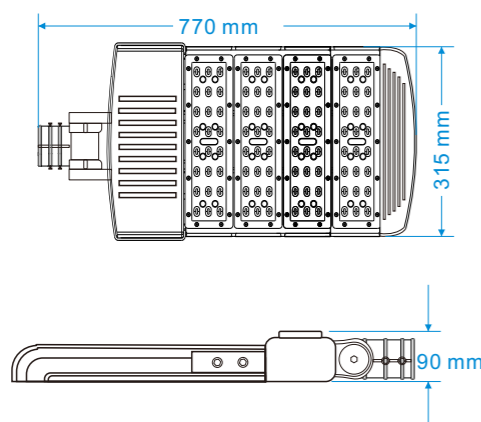
## KS-TYNLD-03-40W



### Product parameters

- ◆ Size: 575mmx176mmx41mm
- ◆ LED Chip: CREE/SAMSUNG/EPISTAR
- ◆ Beam angle: 100°
- ◆ CCT: 2700K-6500K
- ◆ Power: 40W
- ◆ Voltage: AC100V-260V
- ◆ Life time: 50,000hour
- ◆ IP Rating: IP665

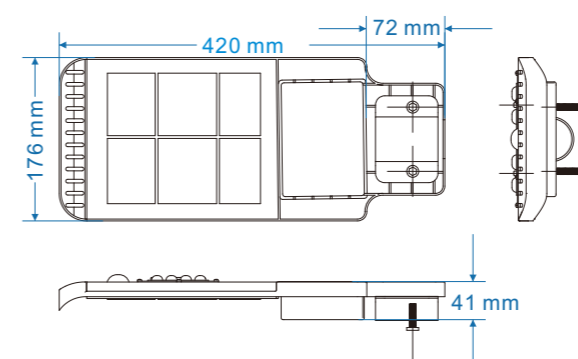
## KS-LD-02-200W



### Product parameters

- ◆ Size: 770mmx315mmx90mm
- ◆ LED Chip: CREE/SAMSUNG/EPISTAR
- ◆ Beam angle: 44°
- ◆ CCT: 2700K-6500K
- ◆ Power: 200W
- ◆ Voltage: AC100V-260V
- ◆ Life time: 50,000hour
- ◆ IP Rating: IP665

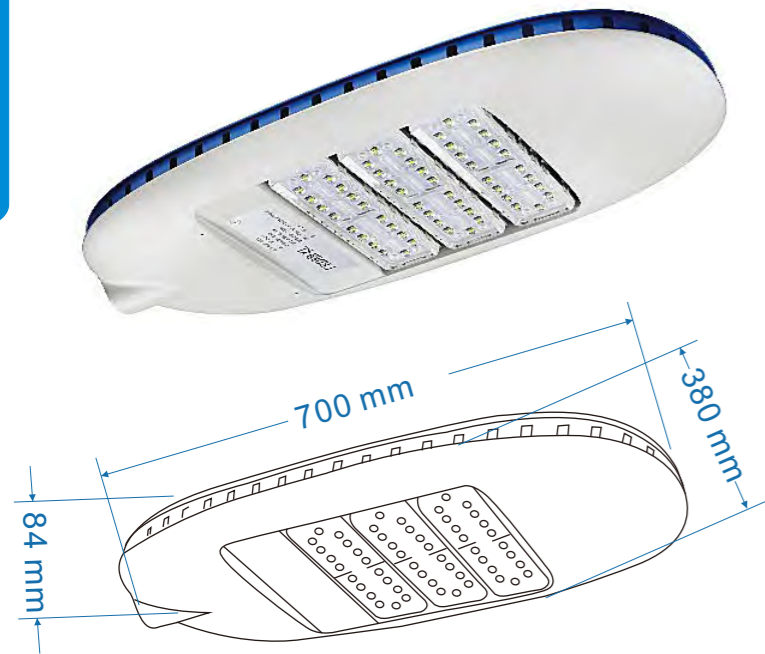
## KS-TYNLD-04-20W



### Product parameters

- ◆ Size: 420mmx176mmx41mm
- ◆ LED Chip: CREE/SAMSUNG/EPISTAR
- ◆ Beam angle: 100°
- ◆ CCT: 2700K-6500K
- ◆ Power: 20W
- ◆ Voltage: AC100V-260V
- ◆ Life time: 50,000hour
- ◆ IP Rating: IP665

## KS-LD-05-120W/180W



### Product parameters

- ◆ Size: 700mmx380mmx84mm
- ◆ LED Chip: CREE/SAMSUNG/EPISTAR
- ◆ Beam angle: 100°
- CCT: 2700K-6500K
- ◆ Power: 120W/180W
- ◆ Voltage: AC100V-260V
- ◆ Life time: 50,000hour
- ◆ IP Rating: IP665

## KS-LD-07-40W



### Product parameters

- ◆ Size: 620mmx290mmx135mm
- ◆ LED Chip: CREE/SAMSUNG/EPISTAR
- ◆ Beam angle: 100°
- CCT: 2700K-6500K
- ◆ Power: 40W
- ◆ Voltage: AC100V-260V
- ◆ Life time: 50,000hour
- ◆ IP Rating: IP665

## KS-LD-06-120W



### Product parameters

- ◆ Size: 700mmx360mmx95mm
- ◆ LED Chip: CREE/SAMSUNG/EPISTAR
- ◆ Beam angle: 100°
- CCT: 2700K-6500K
- ◆ Power: 120W
- ◆ Voltage: AC100V-260V
- ◆ Life time: 50,000hour
- ◆ IP Rating: IP665

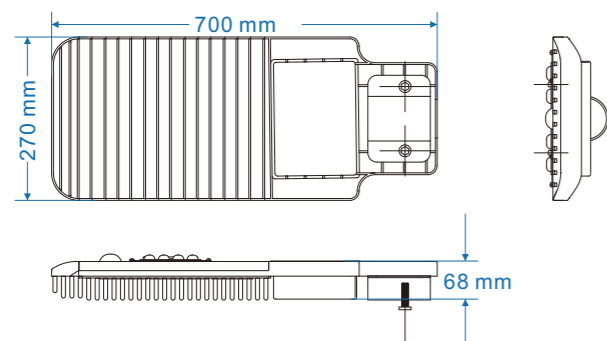
## KS-LD-08-60/80W



### Product parameters

- ◆ Size: 810mmx370mmx200mm
- ◆ LED Chip: CREE/SAMSUNG/EPISTAR
- ◆ Beam angle: 100°
- CCT: 2700K-6500K
- ◆ Power: 60W/80W
- ◆ Voltage: AC100V-260V
- ◆ Life time: 50,000hour
- ◆ IP Rating: IP665

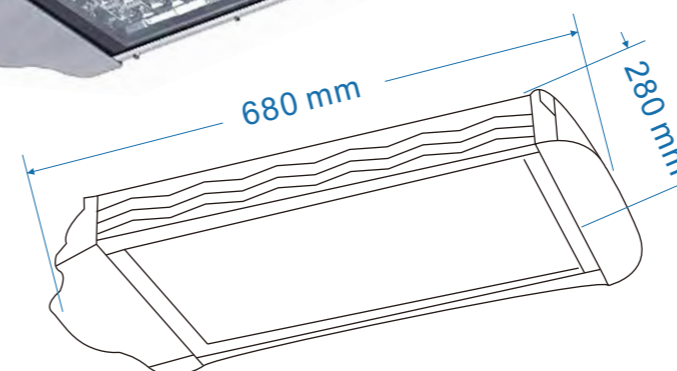
KS-LD-09-140W



Product parameters

- ◆ Size: 700mmx270mmx68mm
- ◆ LED Chip: CREE/SAMSUNG/EPISTAR
- ◆ Beam angle: 100°
- CCT: 2700K-6500K
- ◆ Power: 140W
- ◆ Voltage: AC100V-260V
- ◆ Life time: 50,000hour
- ◆ IP Rating: IP665

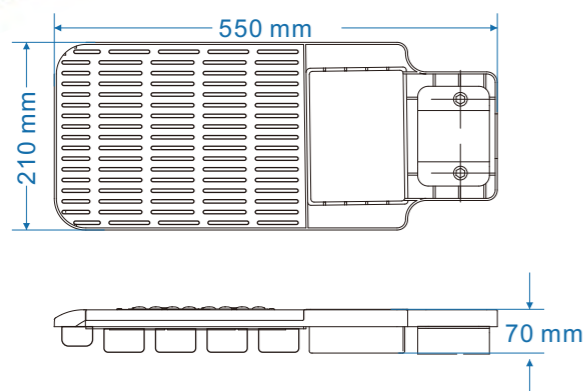
KS-LD-11-140W



Product parameters

- ◆ Size: 620mmx280mm
- ◆ LED Chip: CREE/SAMSUNG/EPISTAR
- ◆ Beam angle: 100°
- CCT: 2700K-6500K
- ◆ Power: 140W
- ◆ Voltage: AC100V-260V
- ◆ Life time: 50,000hour
- ◆ IP Rating: IP665

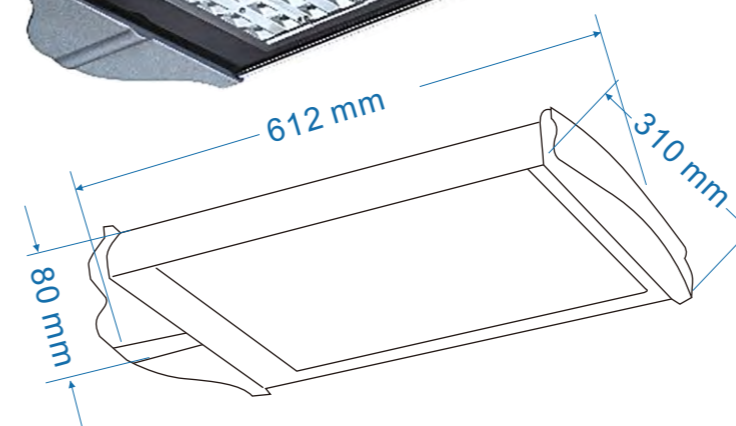
KS-LD-10-60W



Product parameters

- ◆ Size: 550mmx210mmx70mm
- ◆ LED Chip: CREE/SAMSUNG/EPISTAR
- ◆ Beam angle: 100°
- CCT: 2700K-6500K
- ◆ Power: 60W
- ◆ Voltage: AC100V-260V
- ◆ Life time: 50,000hour
- ◆ IP Rating: IP665

KS-LD-12-120W



Product parameters

- ◆ Size: 612mmx310mmx80mm
- ◆ LED Chip: CREE/SAMSUNG/EPISTAR
- ◆ Beam angle: 100°
- CCT: 2700K-6500K
- ◆ Power: 120W
- ◆ Voltage: AC100V-260V
- ◆ Life time: 50,000hour
- ◆ IP Rating: IP665

## Lighting Lifter

Lighting Lifter

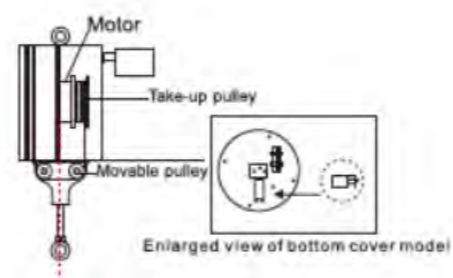
Lighting Lifter

### Components

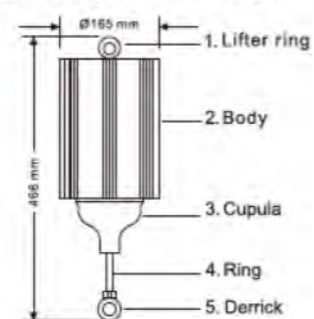
KOS-LL15



### Components



### Lighting Lifter Instruction



### Instructions

- 1: It requires proper connection of the power supply (220V) when using the product, and the incoming line is located at the top of the lifter terminal.
- 2: It will not work if without load anything. When it is installed or used, it needs to load 3-15KG lamps. If the lamp descends to the ground, the lifter will stop without gravity and need to manually pull the wire rope to give it gravity.
- 3: (1) Infrared remote control is point-to-point control. When a signal command is sent, the signal beam of the remote control must face to the signal receiver on the lifter, then it will be workable. (2) The coded remote control isn't require point-to-point, it is workable within 30m effective distance. 『Indication: There must be no obstructions between remote control signal distances.』
- 4: The lifter is forbidden to rise or drop directly. The correct procedure is to raise-stop-drop and stop for 3 seconds per shift, and vice versa.
- 5: The lifter is equipped with an electromagnetic lock. After lifting it into the right position, it has to press "stop" button to reset the



### Attachment (Lifter Specifications)

Rated Specifications		Lifter Specifications	
Operating Voltage	220V	Lighting Weight	3-15KG
Working Frequency	50Hz	Lift Height	Less or equal to 15m
Input Power	50W	Rising Speed	2.5m/min
Currency	0.35A	Falling Speed	3m/min
Working Temperature	-15 to 40°C	Max. Operating Time	Less than 20mins
Size	165*470 mm	IP Degree	IP55
Steel Rope Dia.	1.5mm	Insulation Class	1 Class
Connection Power Cable	3pcs	Motor Type	DC
Wire Dia.	0.75-1.5 square	Remote Control Type	Infrared/Encoding/wire Control

**Please strictly follow the instructions to install the product, thank you for your choice and use!**

### Design Advantages:

1. Cylindrical lifting design: easy to install, just one hook to hang up, no need to adjust the level, automatic balance adjusted, windproof, shockproof.
2. Turbine self-locking variable speed motor, simple design, allows the lights to stop at any height without the need for motor brakes.
3. Bottom-end-point switch: The motor automatically stops working after the wire rope is totally released, preventing the wire rope from continuing to rise after the motor is reversed.
4. Top-end point switch: After the lamp rises to the top, the motor brake stops working to prevent the motor from being blocked and damage the motor.
5. Gravity protection switch: When the steel wire rope is weightlessness (for example, when the lamp falls on the floor or hangs on the shelf, the wire rope loses the pulling force) the motor will automatically stop working and the wire rope will not be damaged.
6. Cable arranging device: can evenly arrange the wire rope on the take-up wheel (optional)
7. Electromagnetic lock: It can hang the light to prevent it from falling when the wire rope breaks due to abnormal external force.
8. Power socket, three-reed groove design, smooth insertion and removal, high accuracy, good conductivity and good security.
9. Double steel wire structure: It can make the lamp do not rotate when it moves up and down, more stable and accurate positioning.
10. Signal receiving switch plug-in external, convenient to switch the elevator control mode, mechanical switch and remote control switch can be switched at any time or at the same time.
11. Laser remote control: A handle can control any lifter when you align it. Controlling distance (50M). The remote control handle is universal, thus the handle can be replaced at any time if it is broken. No coding is required.

## About us: Exhibition hall



## SMT Workshop



## CNC workshop



## Integrating sphere



## Printed Circuit Board Workshop



## Full automatic spray



## Die casting workshop



## Hydraulic press

